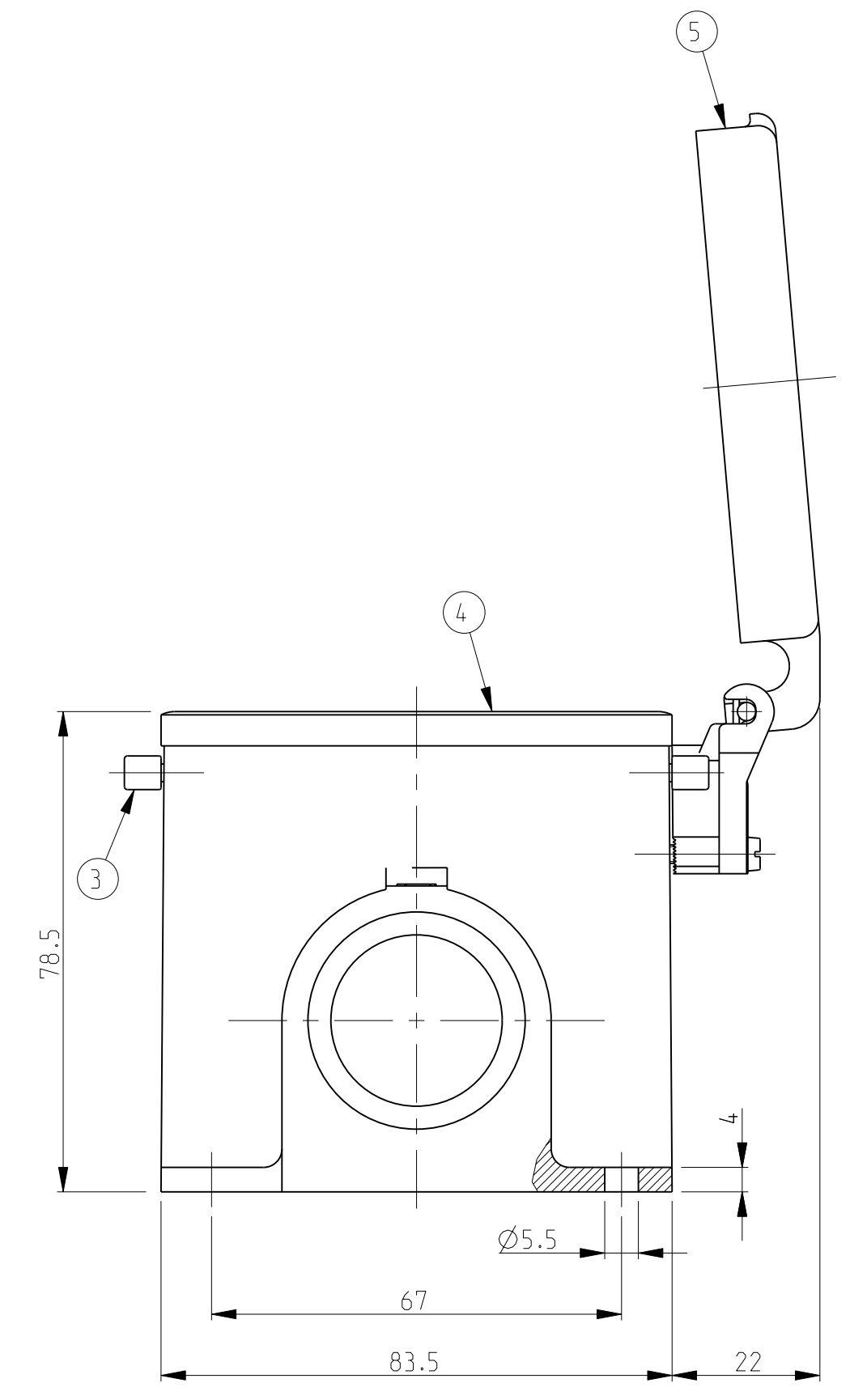
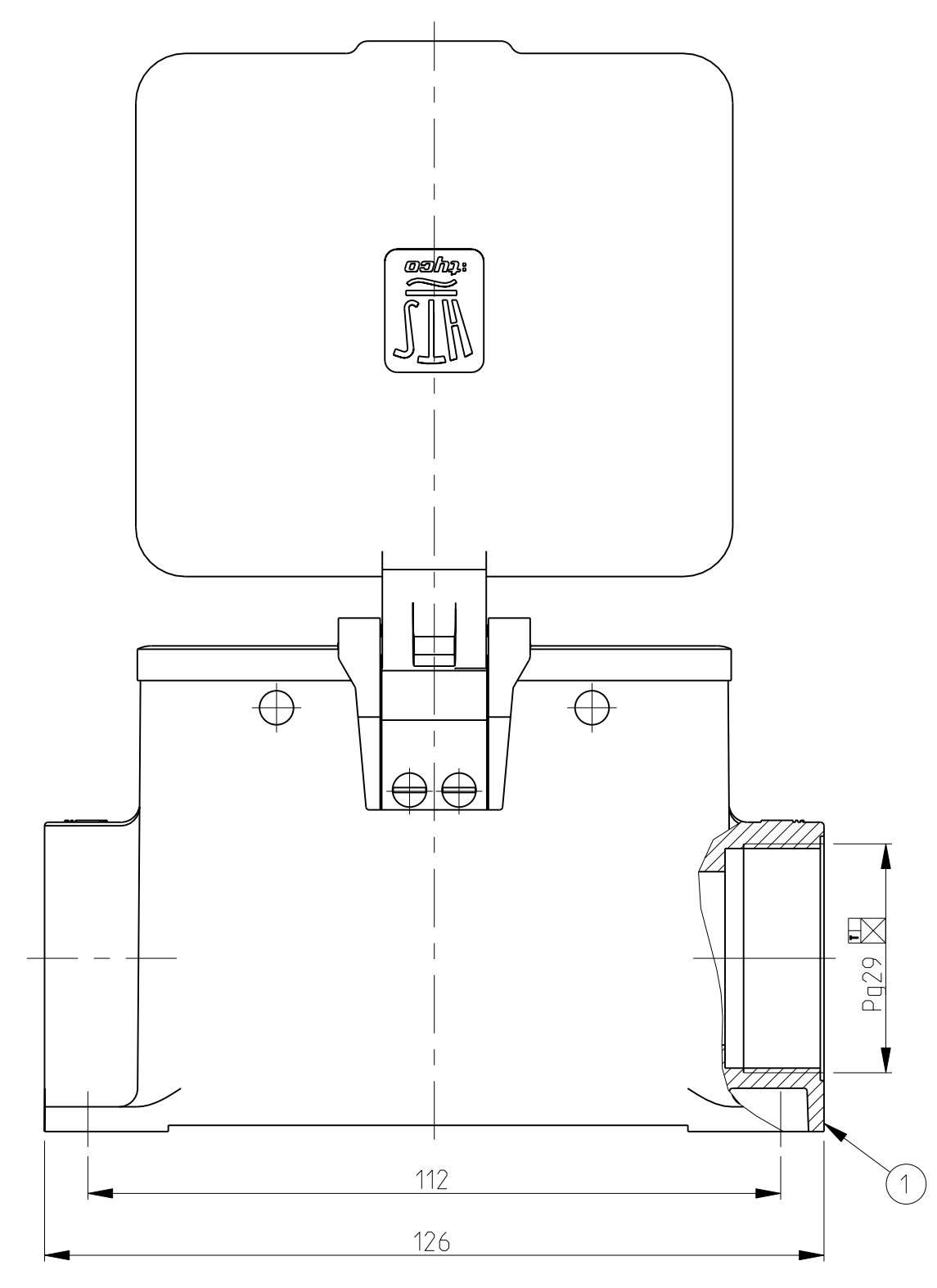


LOC	DIST	REV	DATE	BY	APPD
A1	-	B2	02.JULY.08	SP	TS

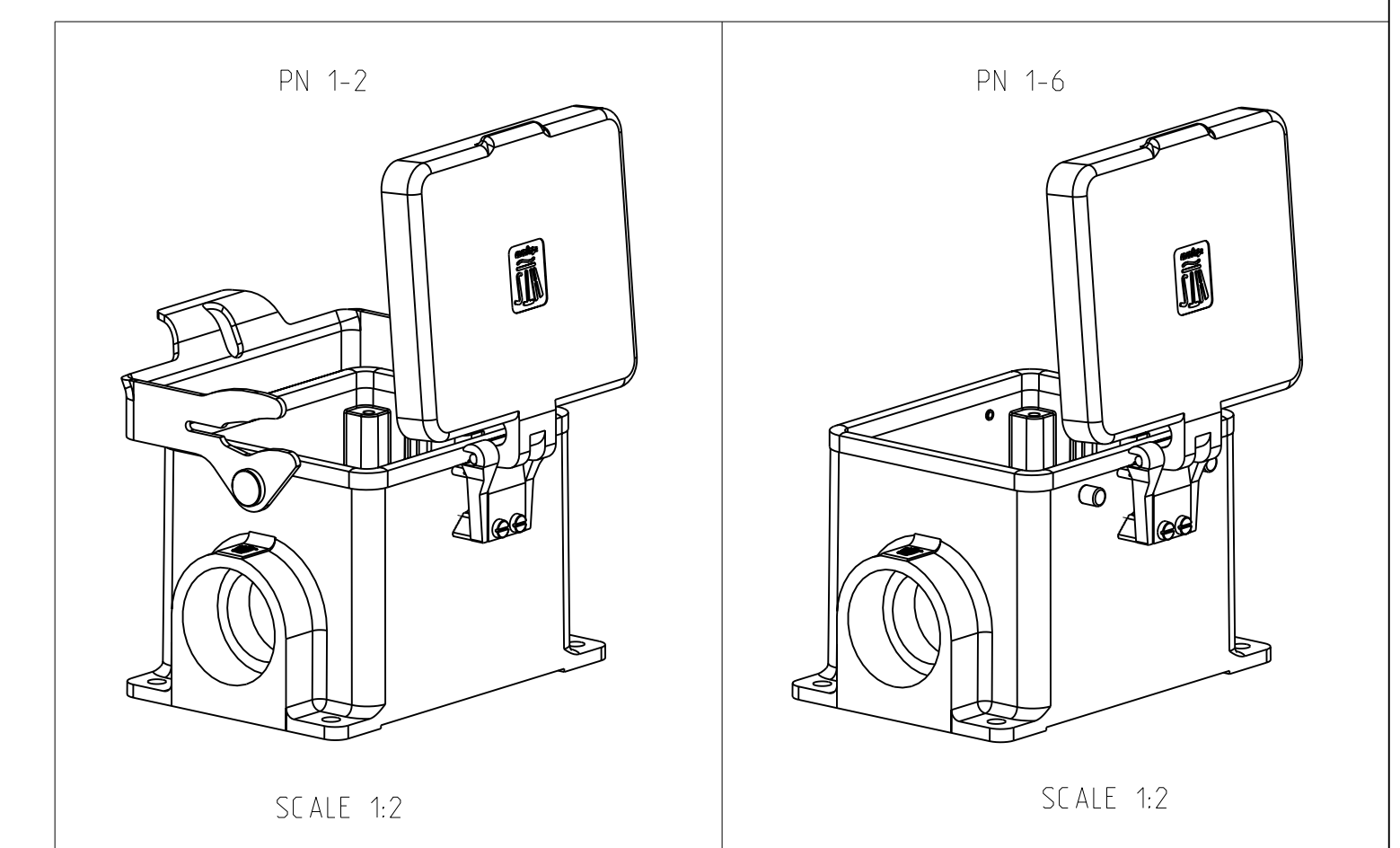
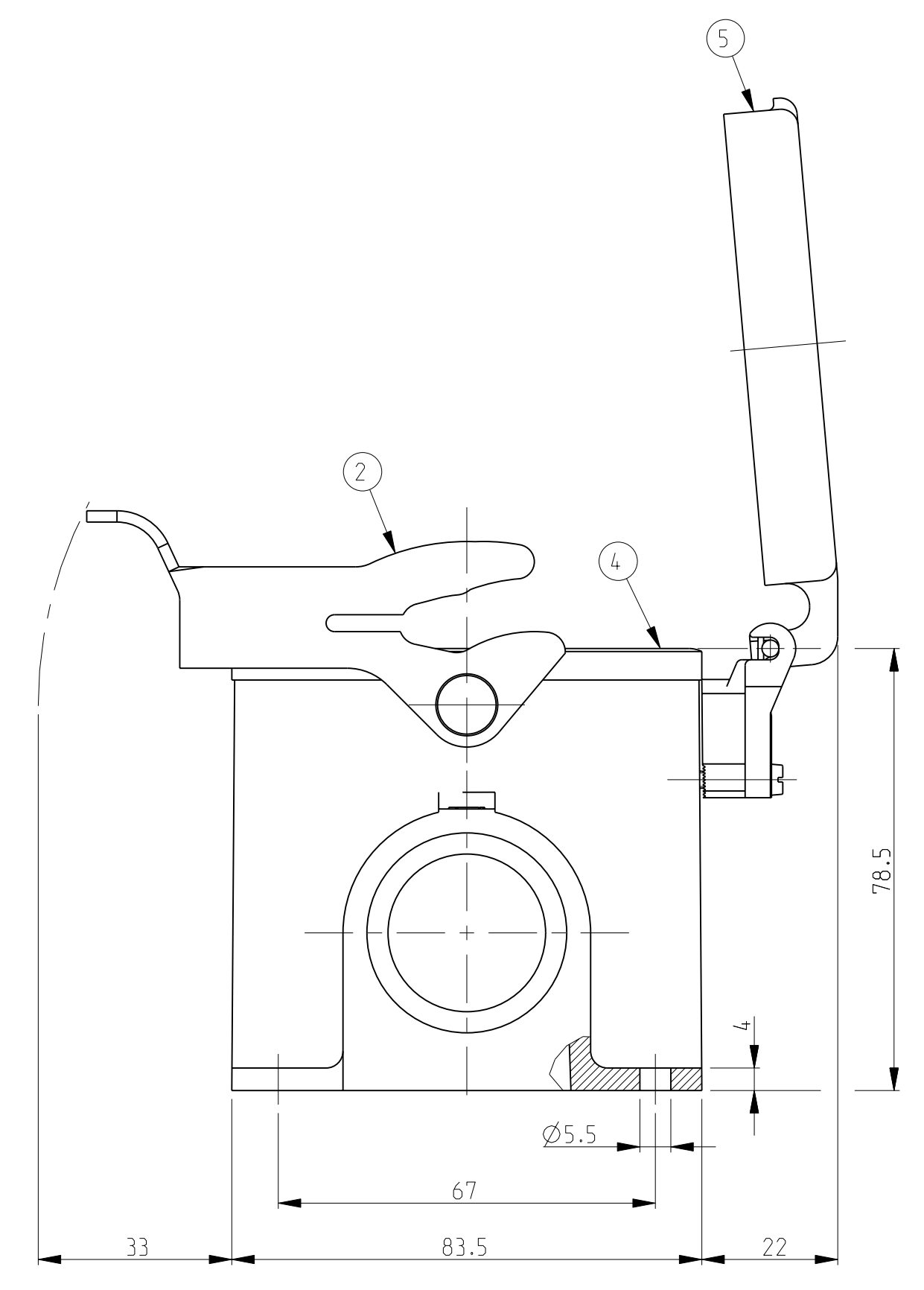
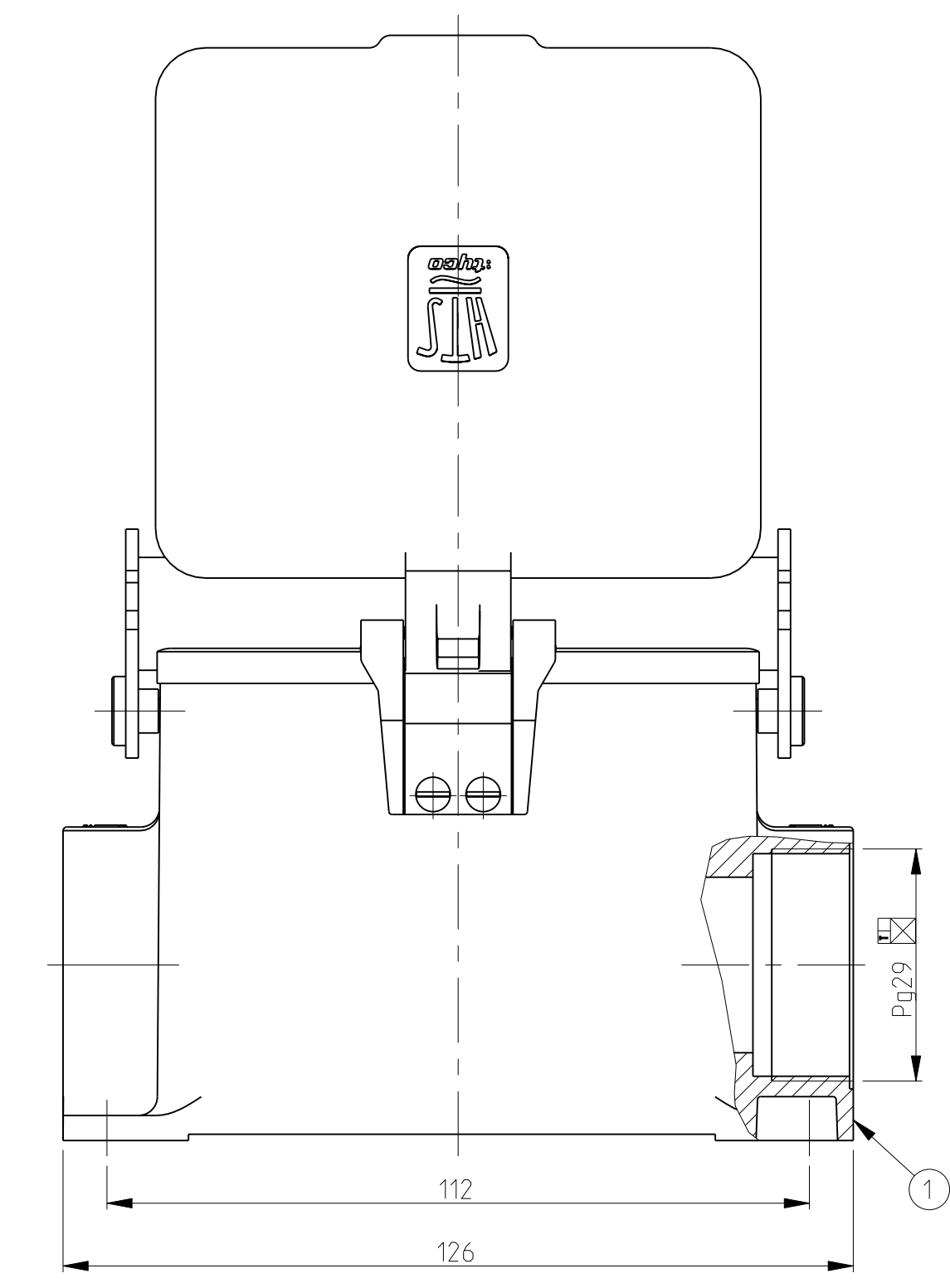
PN 1-6



NOTES.

- 1 Material:Housing:Aluminium Diecasting Alloy
Seals:Neoprene
- 2 Surface:Varnish grey
-Aluminium Oxide +Varnish Black
- 3 Varnish on the inside not necessary
- 4 Packaging
Quantity 5 Pieces in a box

PN 1-2



QTY	DESCRIPTION	MATERIAL	SURFACE	COLOR	ITEM NO	REMARKS
1	Cover HB32	Aluminium		Grey	5	
1	Profile seal	Neoprene		Black	4	
4	VS-Clip bolt	Steel	Zinc plated	Blue	3	
1	LB-Side clip	Steel	Zinc plated	Blue	2	
1	surface mounted housing side entry HB.32.1.29.Z	Aluminium		Grey	1	

ORDERING TEXT		CUSTOMER DRAWING	
HB.32.SGD.1.29.Z		A 00779 C=1102362	
HB.32.SGD-LB.1.29.Z		SCALE 1:1 SHEET 1 OF 1 REV B2	

DIMENSIONS:		TOLERANCES UNLESS OTHERWISE SPECIFIED:	
mm	±0.1	0	±0.1
	±0.2	1	±0.2
	±0.3	2	±0.3
	±0.4	3	±0.4
	±0.5	4	±0.5
	±0.6	5	±0.6
	±0.7	6	±0.7
	±0.8	7	±0.8
	±0.9	8	±0.9
	±1.0	9	±1.0
	±1.2	10	±1.2
	±1.5	11	±1.5
	±2.0	12	±2.0
	±2.5	13	±2.5
	±3.0	14	±3.0
	±4.0	15	±4.0
	±5.0	16	±5.0
	±6.0	17	±6.0
	±8.0	18	±8.0
	±10.0	19	±10.0
	±12.0	20	±12.0
	±15.0	21	±15.0
	±20.0	22	±20.0
	±25.0	23	±25.0
	±30.0	24	±30.0
	±40.0	25	±40.0
	±50.0	26	±50.0
	±60.0	27	±60.0
	±80.0	28	±80.0
	±100.0	29	±100.0
	±120.0	30	±120.0
	±150.0	31	±150.0
	±200.0	32	±200.0
	±250.0	33	±250.0
	±300.0	34	±300.0
	±400.0	35	±400.0
	±500.0	36	±500.0
	±600.0	37	±600.0
	±800.0	38	±800.0
	±1000.0	39	±1000.0
	±1200.0	40	±1200.0
	±1500.0	41	±1500.0
	±2000.0	42	±2000.0
	±2500.0	43	±2500.0
	±3000.0	44	±3000.0
	±4000.0	45	±4000.0
	±5000.0	46	±5000.0
	±6000.0	47	±6000.0
	±8000.0	48	±8000.0
	±10000.0	49	±10000.0
	±12000.0	50	±12000.0
	±15000.0	51	±15000.0
	±20000.0	52	±20000.0
	±25000.0	53	±25000.0
	±30000.0	54	±30000.0
	±40000.0	55	±40000.0
	±50000.0	56	±50000.0
	±60000.0	57	±60000.0
	±80000.0	58	±80000.0
	±100000.0	59	±100000.0
	±120000.0	60	±120000.0
	±150000.0	61	±150000.0
	±200000.0	62	±200000.0
	±250000.0	63	±250000.0
	±300000.0	64	±300000.0
	±400000.0	65	±400000.0
	±500000.0	66	±500000.0
	±600000.0	67	±600000.0
	±800000.0	68	±800000.0
	±1000000.0	69	±1000000.0
	±1200000.0	70	±1200000.0
	±1500000.0	71	±1500000.0
	±2000000.0	72	±2000000.0
	±2500000.0	73	±2500000.0
	±3000000.0	74	±3000000.0
	±4000000.0	75	±4000000.0
	±5000000.0	76	±5000000.0
	±6000000.0	77	±6000000.0
	±8000000.0	78	±8000000.0
	±10000000.0	79	±10000000.0
	±12000000.0	80	±12000000.0
	±15000000.0	81	±15000000.0
	±20000000.0	82	±20000000.0
	±25000000.0	83	±25000000.0
	±30000000.0	84	±30000000.0
	±40000000.0	85	±40000000.0
	±50000000.0	86	±50000000.0
	±60000000.0	87	±60000000.0
	±80000000.0	88	±80000000.0
	±100000000.0	89	±100000000.0
	±120000000.0	90	±120000000.0
	±150000000.0	91	±150000000.0
	±200000000.0	92	±200000000.0
	±250000000.0	93	±250000000.0
	±300000000.0	94	±300000000.0
	±400000000.0	95	±400000000.0
	±500000000.0	96	±500000000.0
	±600000000.0	97	±600000000.0
	±800000000.0	98	±800000000.0
	±1000000000.0	99	±1000000000.0
	±1200000000.0	100	±1200000000.0