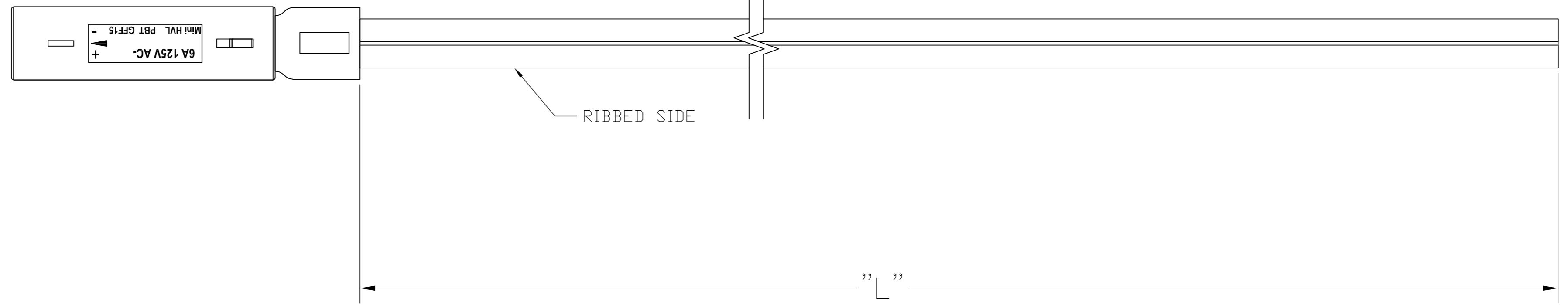
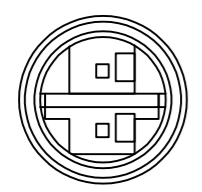


THIS DRAWING IS UNPUBLISHED. RELEASED FOR PUBLICATION  
 © COPYRIGHT - By - ALL RIGHTS RESERVED.

LOC	DIST	REVISIONS					
GP	00	P	LTR	DESCRIPTION	DATE	DWN	APVD
		A		NEW RELEASSE	01/AUG/11	ECC	PB

HV-4

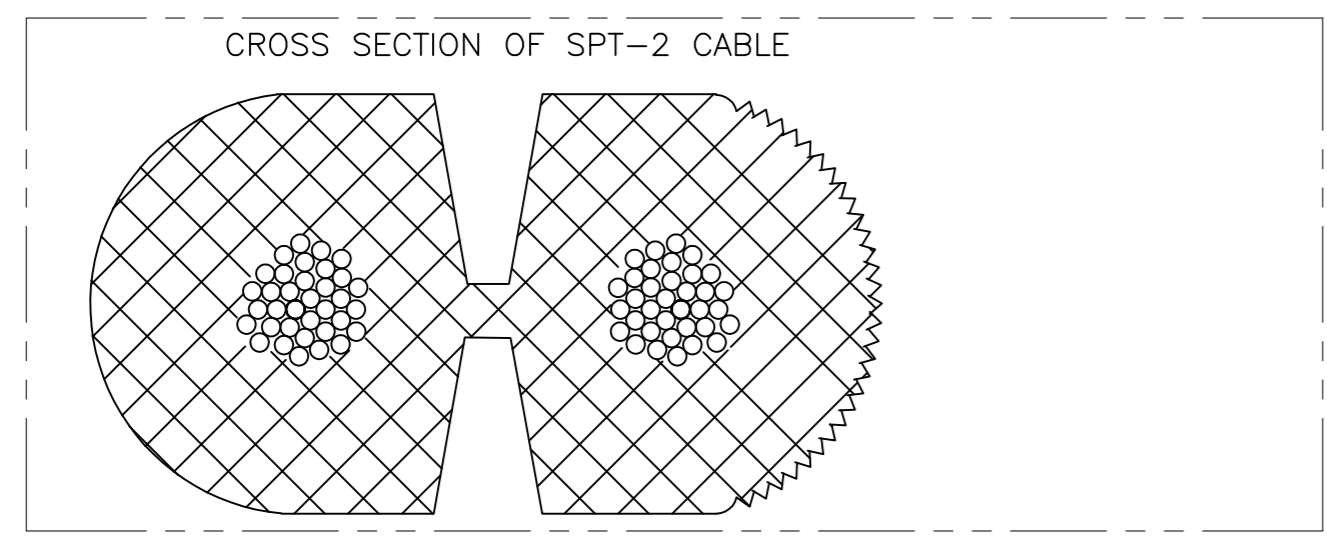


1. PACKAGING ACC. TO TE SPEC.107-18032  
BUNDLE EVERY 25 ASSEMBLIES WITH A RUBBER BAND
2. ELECTRICAL TEST CONTAINING "SHORT CIRCUIT TEST, CONTINUITY AND ACCURATE CAVITY ASSIGNMENT TEST" ACC. TO TE-SPEC.108-18857, SUBSECTION 3.1.1

OUTLET		SIDE
1	+	RIBBED
2	-	SMOOTH

<sup>3</sup> WIRING SCHEDULE AS SHOWN

16.0 FT	±3.84	2181197-8
14.0 FT	±3.36	2181197-7
12.0 FT	±2.88	2181197-6
10.0 FT	±2.4	2181197-5
8.0 FT	±1.92	2181197-4
6.0 FT	±1.44	2181197-3
4.0 FT	±.96	2181197-2
2.0 FT	±.48	2181197-1
"L"	TOLERANCES [INCHES]	TE P/N



THIS DRAWING IS A CONTROLLED DOCUMENT.		DWN E.C. CLAYBAUGH 17/JUN/11	<b>TE</b> TE Connectivity		
DIMENSIONS: INCHES		CHK P. BECKER 13/JUL/11			
TOLERANCES UNLESS OTHERWISE SPECIFIED:		APVD P. BECKER 01/AUG/11	NAME CABLE ASSY, NECTOR, HV-4, OUTLET - PIGTAIL		
0 PLC ± - 1 PLC ± - 2 PLC ± - 3 PLC ± - 4 PLC ± - ANGLES ± -		PRODUCT SPEC APPLICATION SPEC	SIZE A2	CAGE CODE 00779	DRAWING NO C=2181197
MATERIAL		WEIGHT	RESTRICTED TO	REV	
FINISH		CUSTOMER DRAWING	SCALE N.T.S.	SHEET 1 of 1	REV A

2181197