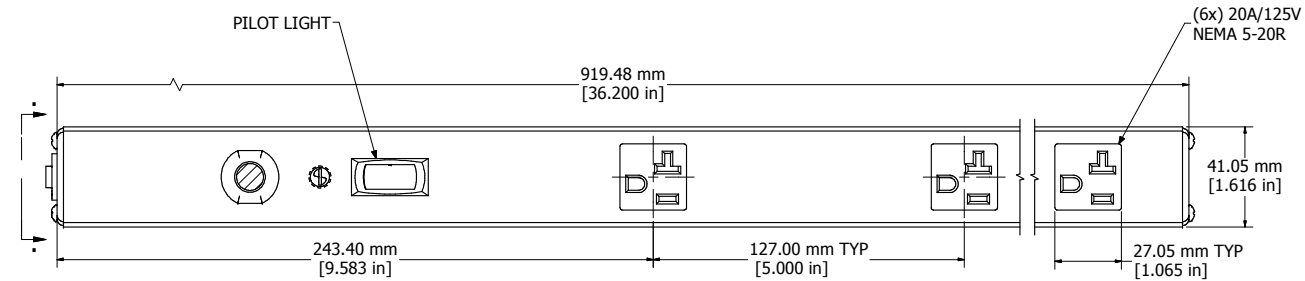
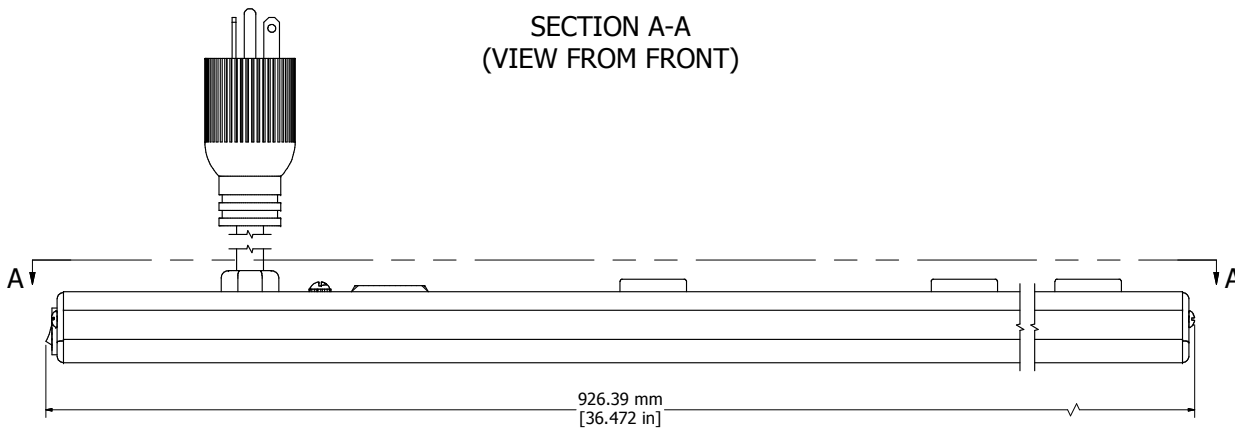


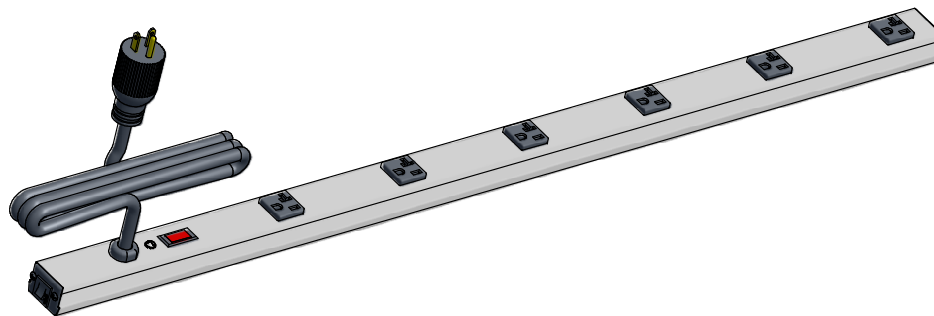
8 7 6 5 4 3 2 1



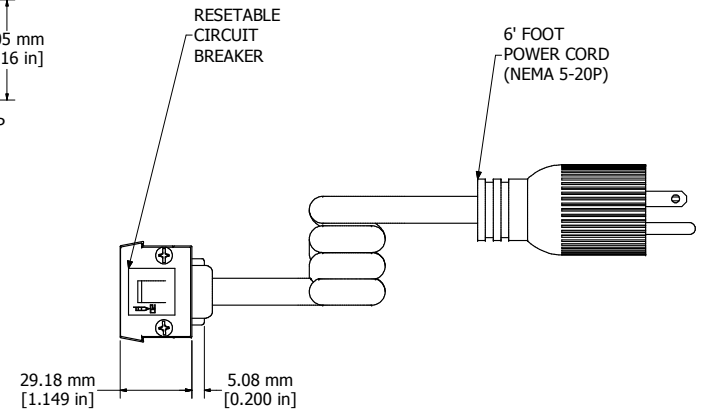
SECTION A-A
(VIEW FROM FRONT)



ASSEMBLY - VIEW FROM SIDE



ISOMETRIC VIEW



ASSEMBLY - VIEW FROM END

| |
|---|
| 1589T36F1 |
| Finish - Case - Anodized Aluminum Extrusion |
| Ends - ABS Plastic |
| Rated - 125 VAC, 60 Hz, 20 Amps |
| Approvals - CSA Certified Standards C22.2 (No. 21-95, 42-99) - UL Listed Standard UL1363 |
| Cord Length |
| 1589T36F1 - 6' Foot Power Cord (NEMA 5-20P) |
| 1589T36G1 - 15' Foot Power Cord (NEMA 5-20P) |
| Accessories Included |
| Mounting Bracket Kit with Hardware |



8 7 6 5 4 3 2 1