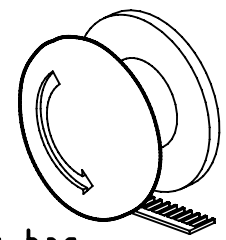
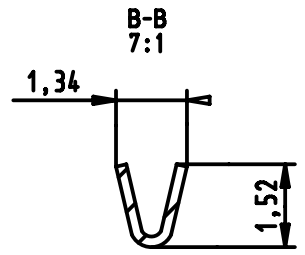
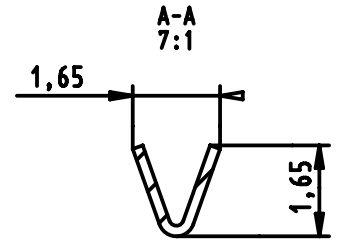
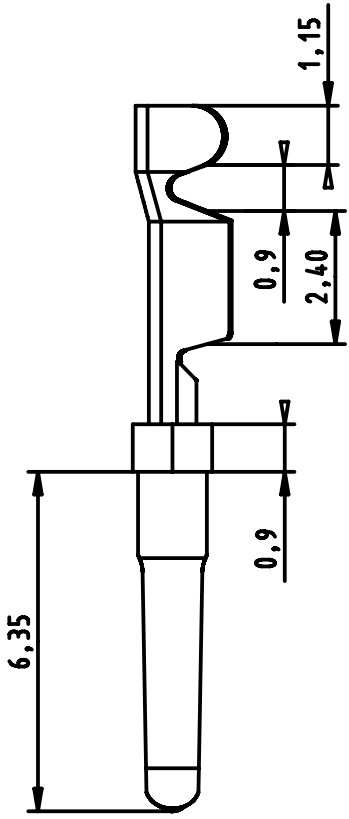
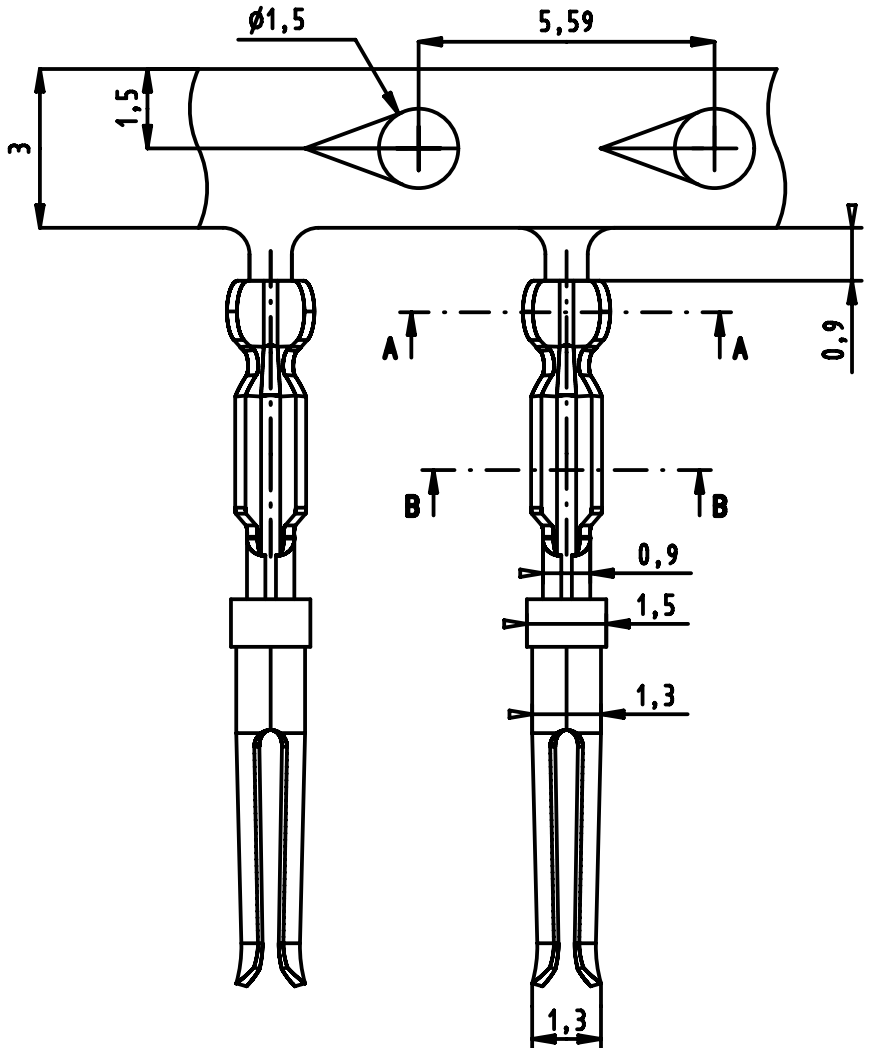


1 2 3 4 5 6



500 pcs bulk in plastic bag

09560008275	S4
09560008277	3
Part number	Performance level

	All Dimensions in mm Original Size DIN A4	Scale 2:1	Free size tol.		Ref.
					Sub.
	All rights reserved	Created by DOUGE	Inspected by BAGDIKIAN	Standardisation HOFFMANN	Date 2012-12-14
	Department EC PD - FR	Title D-Sub HD stamped female cont. AWG 24-26		State Final Release	
HARTING Electronics GmbH D-32339 Espelkamp		Type TB	Number 0956000827X		Doc-Key / ECM-Nr. 100513560/UGD/001/A 500000055151
				Rev. A	Page 1/1