

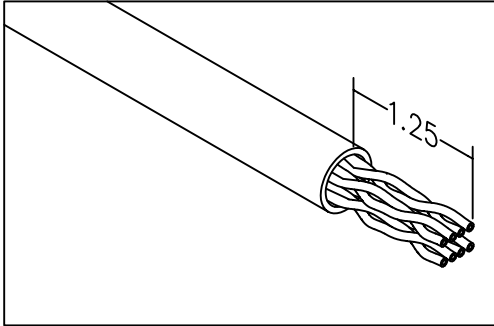
Bel Stewart Connector

11118 Susquehanna Trail South
Glen Rock, PA 17327-9199
(717) 235-7512 Fax: (717) 235-7954

WWW.STEWARTCONNECTOR.COM

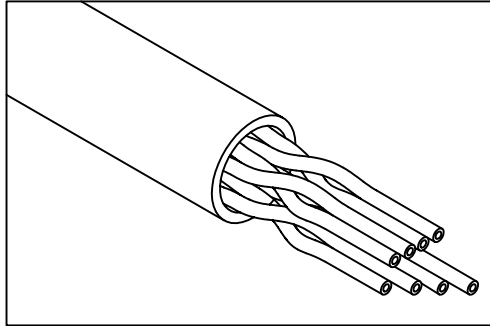
CABLEJACK TERMINATION INSTRUCTIONS

1.



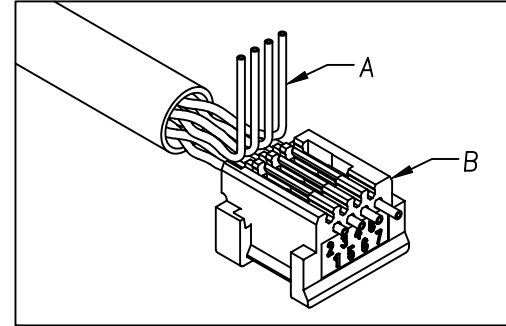
REMOVE 1.25" (31.8 mm) OF CABLE JACKET AND UNTWIST WIRE PAIRS.

2.



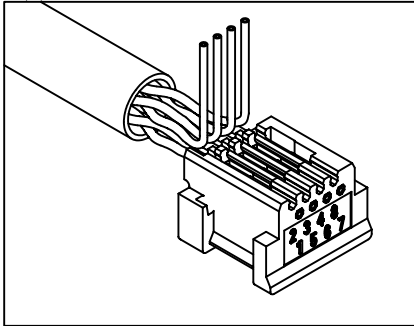
STRAIGHTEN CONDUCTORS AND ARRANGE ACCORDING TO APPROPRIATE WIRING DIAGRAM ON THE BACK OF THIS SHEET. TRIM OFF BOTTOM ROW OF CONDUCTORS AT A SLIGHT ANGLE TO FACILITATE EASIER LOADING.

3.



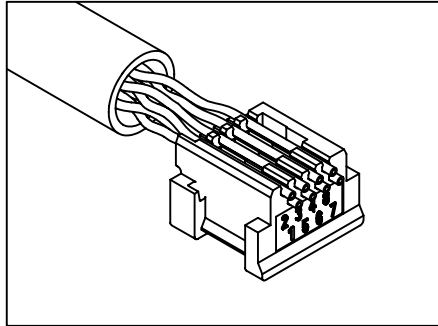
BEND TOP ROW OF CONDUCTORS BACK 90 DEGREES (A). LOAD BOTTOM ROW OF CONDUCTORS INTO LOADBAR (B).

4.



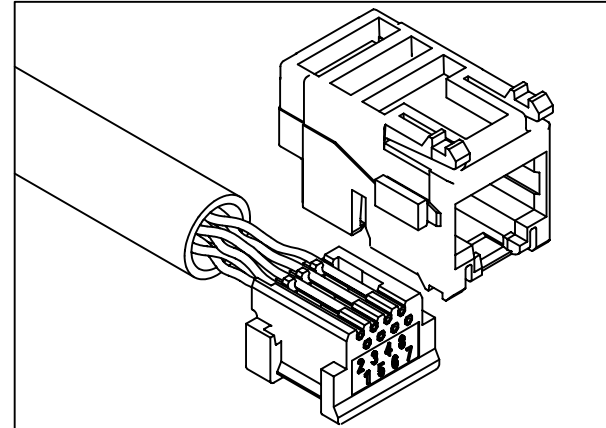
TRIM BOTTOM ROW OF CONDUCTORS FLUSH WITH LOADBAR.

5.



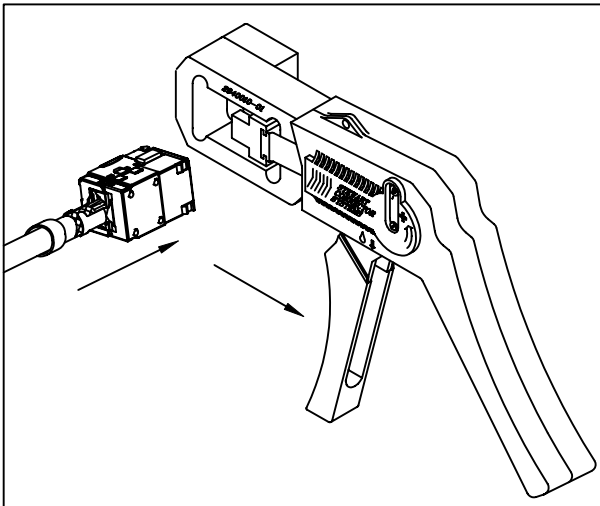
LACE TOP ROW OF CONDUCTORS INTO LOADBAR. TRIM TOP ROW OF CONDUCTORS FLUSH.

6.



PLACE THE LOADBAR AND WIRES INTO THE HOUSING.

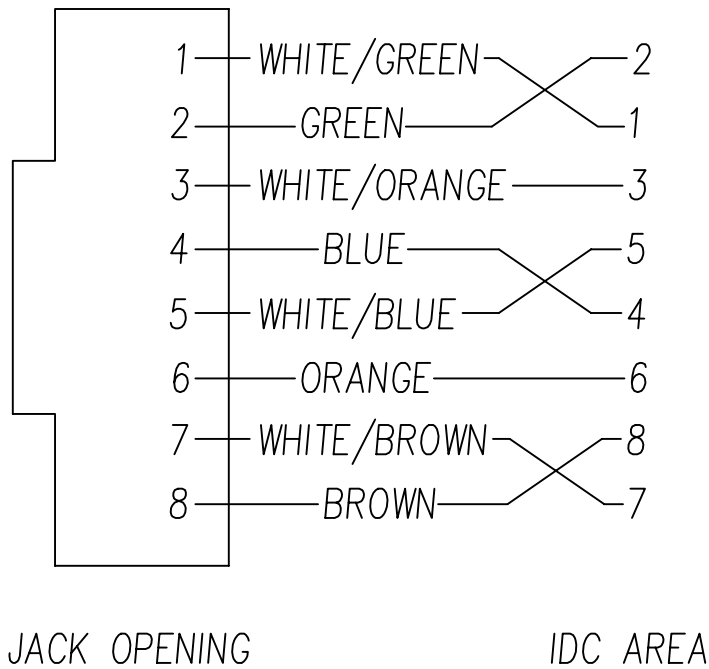
7.



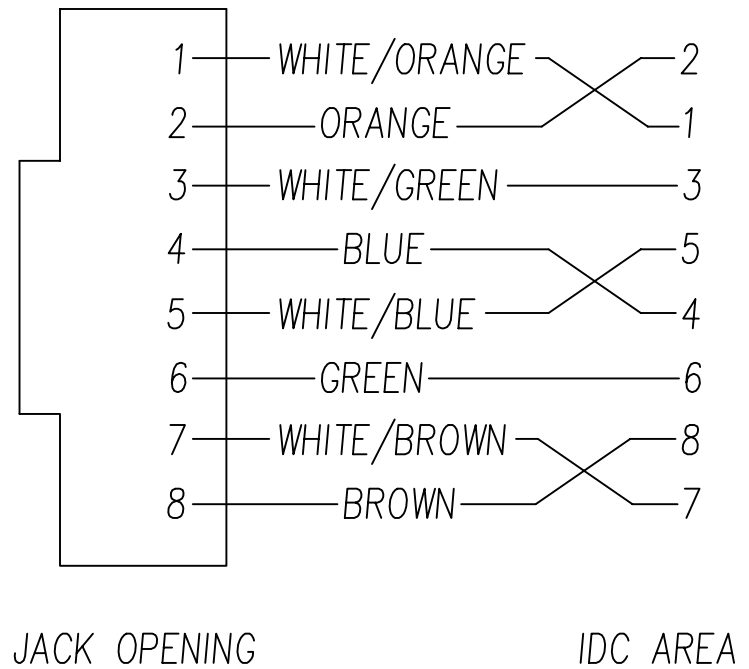
PLACE CABLEJACK INTO HAND TOOL AND TERMINATE.

CABLEJACK WIRING SEQUENCES

EIA/TIA 568-A



EIA/TIA 568-B



NOTES:

- CABLE-READY JACKS CAN TERMINATE 24/26 AWG.
- FOR TECHNICAL AND PERFORMANCE DATA, CONSULT FACTORY.

AS WITH ALL WIRING INSTALLATION AND MODIFICATION, THE FOLLOWING STATEMENTS APPLY:

USE CAUTION AND COMMON SENSE WHEN INSTALLING, MODIFYING, OR REMOVING ANY COMMUNICATION WIRING AND SYSTEMS.

NEVER INSTALL COMMUNICATIONS WIRING IN WET LOCATIONS UNLESS ELECTRONIC COMPONENTS AND JACKS ARE SPECIFICALLY DESIGNED FOR WET ENVIRONMENTS.

ALWAYS DISCONNECT COMMUNICATION LINES FROM THE NETWORK INTERFACE BEFORE TOUCHING UNINSULATED COMMUNICATIONS WIRING OR TERMINALS.

DO NOT, UNDER ANY CIRCUMSTANCES, INSTALL COMMUNICATIONS WIRING DURING A LIGHTNING STORM.