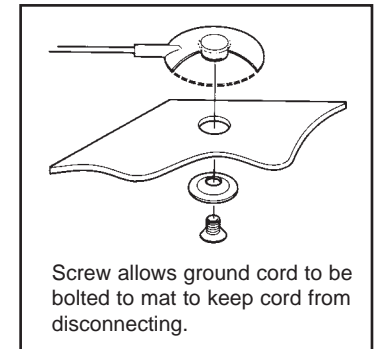
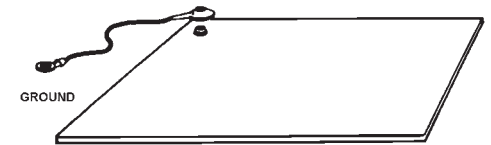


**14234 Kit**  
Includes items:  
[09813](#) and [09864](#)

For Grounding ESD Mats



Screw allows ground cord to be bolted to mat to keep cord from disconnecting.

**Key:**

- A. 10mm (.395 in.) male snap to attach to mat.
- B. Molded in black thermoplastic elastomer.
- C. Wire High flex strand copper, 20 gauge, with PVC insulation.  
[09813](#) - Wire insulation Color: Black  
[09814](#) - Wire insulation Color: Green with yellow stripe  
OD = .107"
- D. Ring terminal, .200" ID, (#10).
- E. Extra ring terminal provided for customizing length.
- F. Item [09813](#) has a one megohm resistor between the snap and wire. Item [09814](#) has no resistor between the snap and wire.
- G. Brass crimp secures conductors and provides strain relief.
- H. Desco logo molded onto cap on top of shroud. (10=2010).
- I. Date coded to show month and year of manufacture. Arrow points to month of manufacture (12:00 = December), numerals indicate the year (10=2010).
- J. 6-32 x 1/4" flat head screw and washer allow mat ground cord to be bolted to most mats by shorter or longer screw that depends on mat thickness.

Item	Description	Resistance (Ohms)	Test Method
<a href="#">09813</a>	One Megohm Resistor to Mat - Black Wire	0.8 x 1.2 x 10E6	ANSI/ESD S6.1
<a href="#">09814</a>	No Resistor - Green Wire with Yellow Stripe	< 1.0	ANSI/ESD S6.1

Unless otherwise specified Tolerance +/- 10%  
Specifications and procedures subject to change without notice.

**GROUND CORD, MAT, THREADED 10MM SNAP STUD**



DESCO WEST: 3651 WALNUT AVE., CHINO, CA 91710 WEB SITE: [Desco.com](http://Desco.com)  
PHONE (909) 627-8178 FAX (909) 627-7449 FAX REQUEST (909) 627-7126  
DESCO EAST: ONE COLGATE WAY, CANTON, MA 02021-1407  
PHONE (781) 821-8370 FAX (781) 575-0172

**DRAWING NUMBER**  
09814

**DATE:**  
December 2010



Made in America

