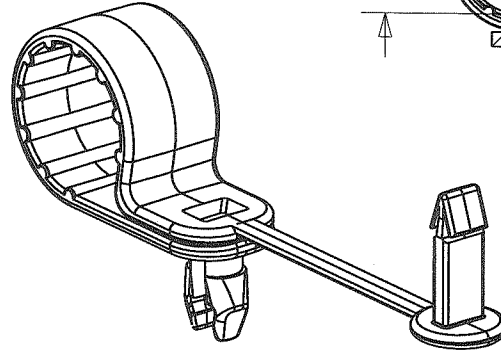
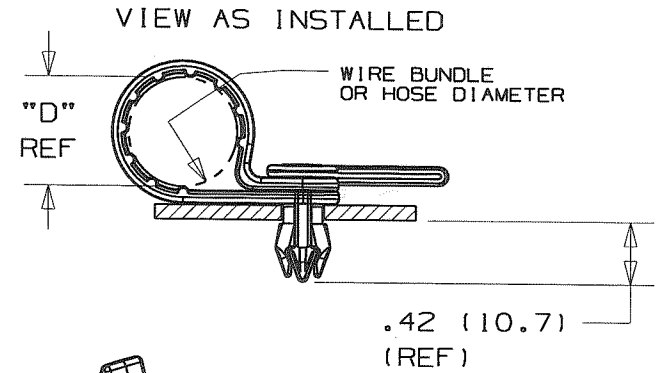
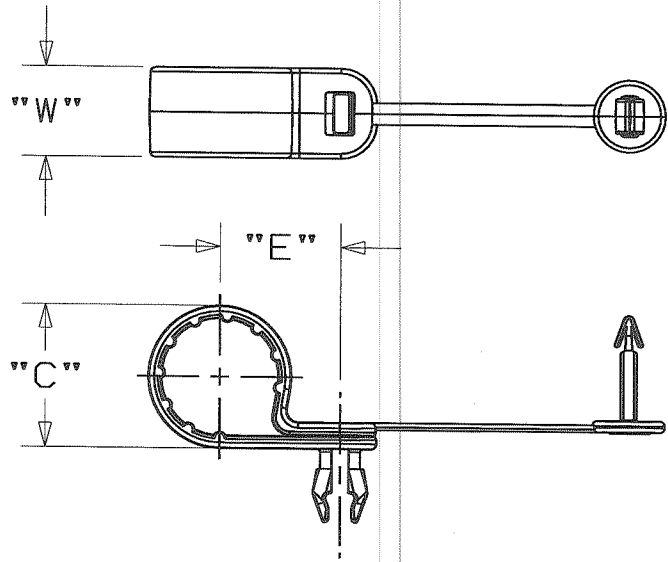


THIS COPY IS PROVIDED ON A RESTRICTED BASIS AND IS NOT TO BE USED IN ANY WAY DETRIMENTAL TO THE INTERESTS OF PANDUIT CORP.



SCALE: FULL

NOTES:

1. SEE CURRENT PRICE SHEET FOR PART NUMBER SUFFIX DESIGNATION FOR PACKAGE SIZE AND COLOR.
2. MOUNTING HOLE DIAMETER:
1/4" CLEARANCE - .281" [7mm]
PANEL THICKNESS:
.125" [3.2mm] NOMINAL
3. SPECIFIED DIAMETER IS CABLE OR HOSE THAT IS BEING INSTALLED.

PANDUIT PART NO. (SEE NOTE 1)	DIMENSIONS			WEIGHT lbs / (g) 100/ pcs
	"C"	"D" DIAMETER REF SEE NOTE 3	"E" (REF.)	
PC038-H25D-_-	.58 [14.7]	.38 [9.5]	.64 [16.3]	.62 [15.7]
PC050-H25D-_-	.70 [17.8]	.50 [12.7]	.71 [17.9]	
PC062-H25D-_-	.82 [20.8]	.62 [15.8]	.77 [19.5]	
PC075-H25D-_-	.95 [24.1]	.75 [19.1]	.83 [21.1]	
PC087-H25D-_-	1.07 [27.2]	.87 [22.1]	.89 [22.7]	
PC100-H25D-_-	1.20 [30.5]	1.00 [25.4]	.96 [24.3]	
PC112-H25D-_-	1.33 [33.8]	1.12 [28.5]	1.02 [25.8]	
PC125-H25D-_-	1.45 [36.8]	1.25 [31.8]	1.08 [27.4]	

DIMENSIONS IN BRACKETS ARE METRIC [mm]

CAD FILENAME/LAYERS G03597ID_DC_GB2320CA/00B

PANDUIT CORP. TINLEY PARK, ILLINOIS

PAN-CLAMP
(PC___-H25D-_-)

UNLESS OTHERWISE SPECIFIED,
DIMENSIONAL TOLERANCES ARE:
(.X) ±0.05 [1.3] (.XXX) ±0.010 [0.25]
(.XX) ±0.02 [0.5] ANGLES ± 5°

UNLESS OTHERWISE SPECIFIED,
ALL DIMENSIONS ARE GIVEN
IN INCHES, THIRD ANGLE PROJECTION.

REV	DATE	BY	CHK	DESCRIPTION	ECN	R	CUST	SUP
00B	02/24/09	GDH		CHANGED REVISION STYLE AND FILE NAME FORMAT. ADDED COLUMN "C".	GB2320CA	00B	KW	
5	5/9/01	KLN		UPDATED PART WEIGHTS, E, AND W DIMENSIONS	GB2320CA	5		
4	3/22/01	KLN		UPDATED PRODUCT PART NUMBERS	GB2320CA	4		

DRAWN BY JAD

MAT'L:

DATE 4-26-00

WEATHER RESISTANT
IMPACT MODIFIED
NYLON 6/6

SCALE 3/4

DRAWING NO.

GB2320CA

DWG

A
SIZE