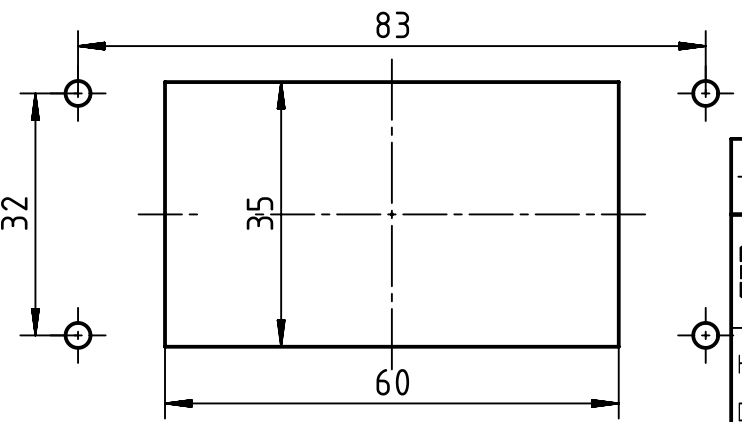



A
B
C
D

1 2 3 4 5 6

panel cut out



	All rights reserved Department EL PD - DE		Title Han 10M Base Panel 2 Levers		Doc-Key / ECM-Nr. 100178975/UGD/005/A 500000071043	
	HARTING Electric GmbH & Co. KG D-32339 Espelkamp		Type TB		Number 09 37 010 0301	
All Dimensions in mm Original Size DIN A4			Scale 1:1		Free size tol.	
					Ref. Sub.	
			Created by PRIESTER		Inspected by SCHNIEDER	
			Standardisation SCHMIDTM		Date 2014-03-25	
					State Final Release	
					Rev. A	
					Page 1/1	