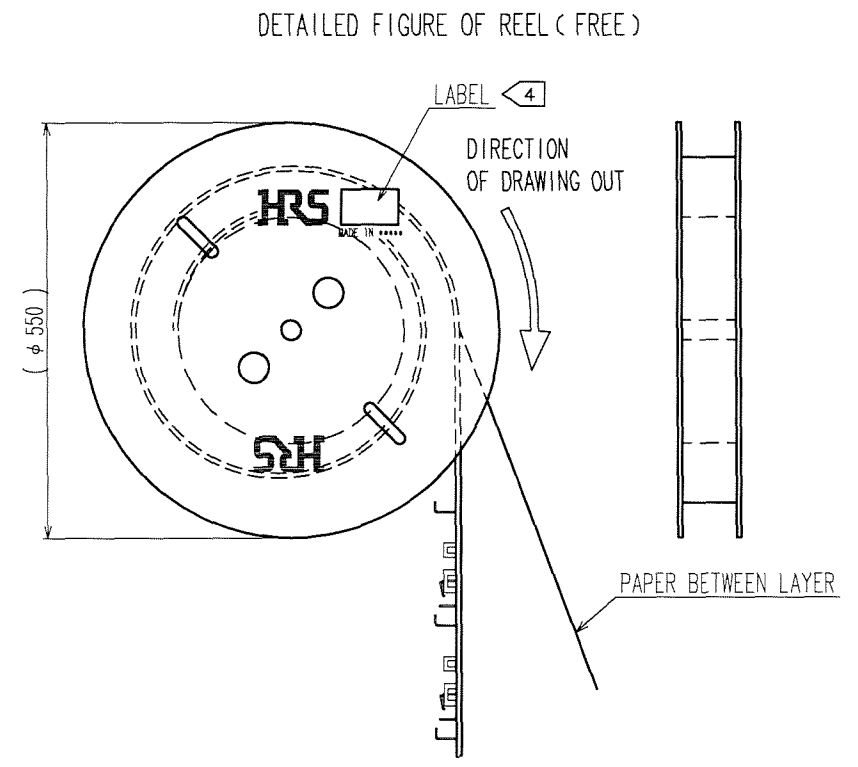
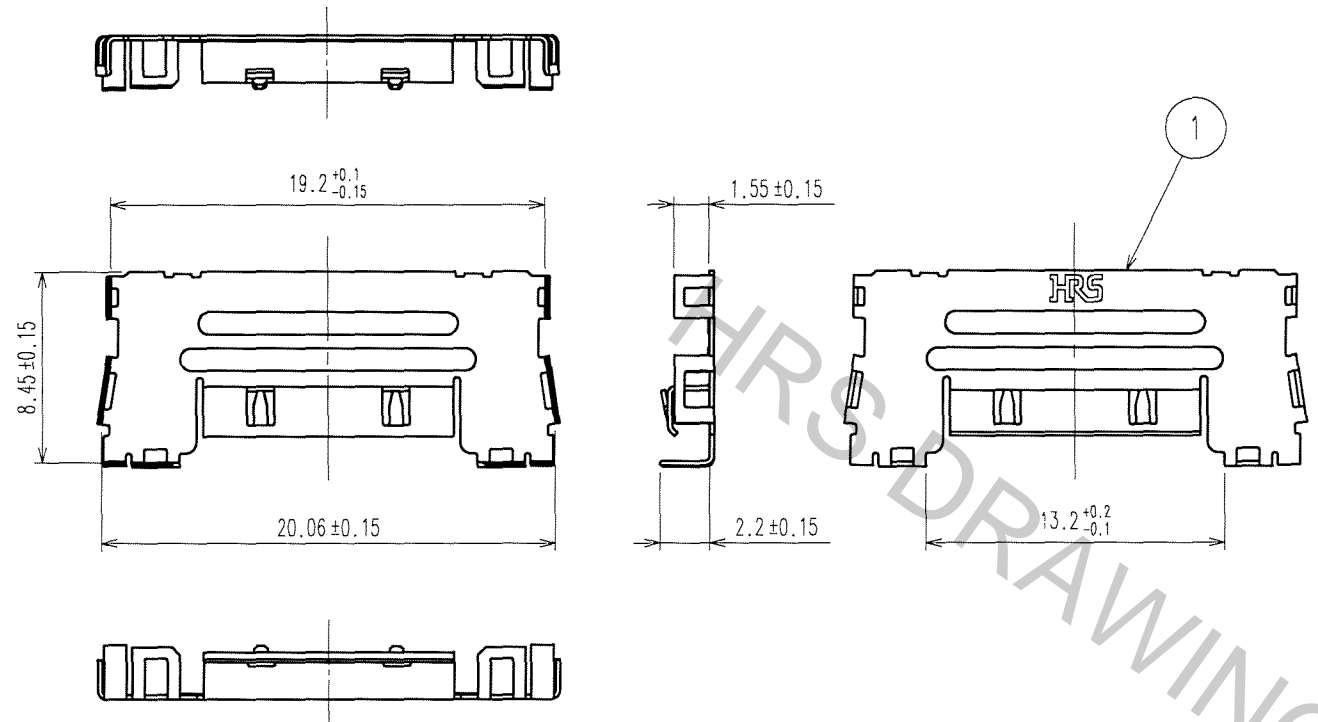
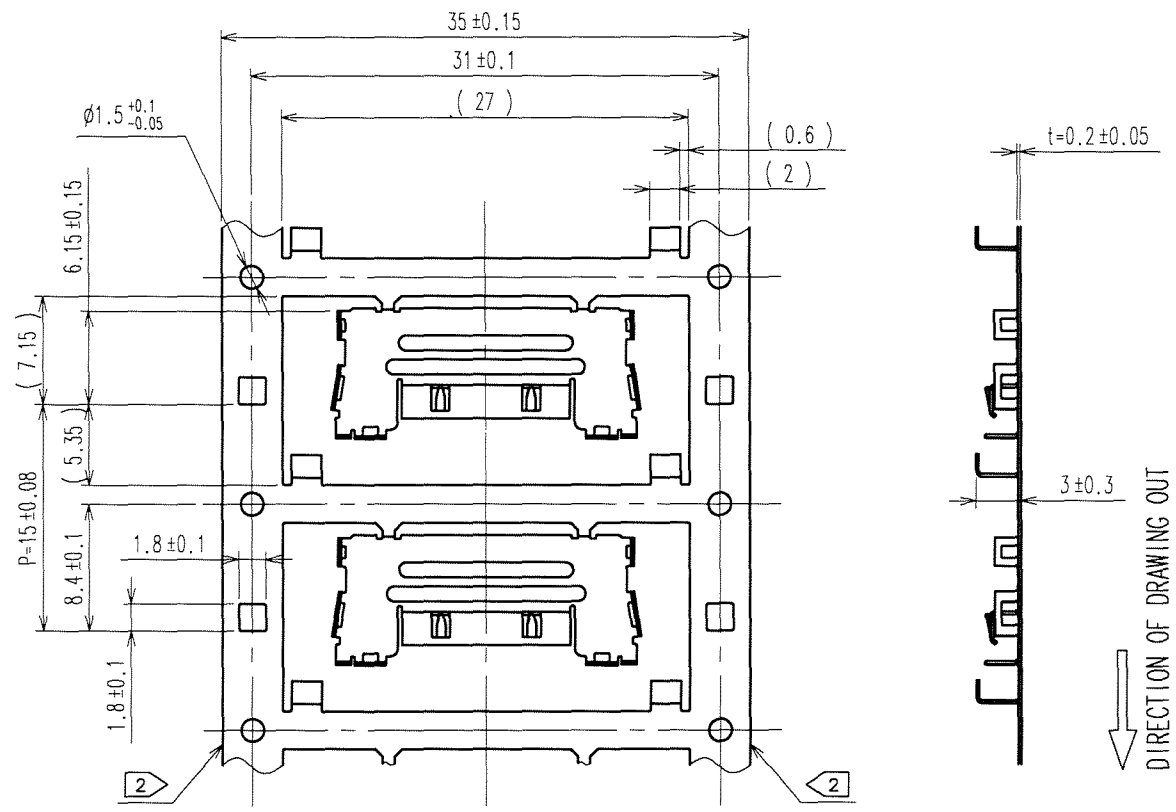


Apr.1.2017 Copyright 2017 HIROSE ELECTRIC CO., LTD. All Rights Reserved.

COUNT	DESCRIPTION OF REVISIONS	BY	CHKD	DATE	COUNT	DESCRIPTION OF REVISIONS	BY	CHKD	DATE



DETAILED FIGURE OF CAREER (2 : 1)



- NOTE 1. MANUFACTURING PROCESS COULD LEAVE SCRATCH AND/OR PUNCH MARKS HAVING NO AFFECT ON THE PRODUCT PERFORMANCE.
 2. SIDE CUT CAN BE PROVIDED TO PREVENT CARRIER CURVE.
 3. 2500 PIECES PER REEL.
 4. LABEL AS SHOWN BELOW IS INDICATED.

HRS		INSPECTION
検査		
CODE No.	CL575-3311-0	
品名コード		
PART NO.	FX16-21P-GND	
品名		
QTY	2,500 PCS	
数量		
PECULIAR		
仕様		
Lot No		
SPLICE		
継ぎ目		

5. DIMENSION IN () ARE FOR REFERENCE.
 6. THIS IS A COMPONENT FOR SEPARATELY AVAILABLE PRODUCT; FX16-21P-0.5FC OR FX16-21P-0.5SD. WHEN MICRO COAXIAL CABLE IS USED FOR THE CABLE, MAKE SURE TO USE WITH THE SPECIFIED COMBINATION.

TO

NO.	MATERIAL	FINISH, REMARKS	1	STAINLESS	
CODE NO. (OLD)	CL	DRAWN	DESIGNED	CHECKED	APPROVED
		K.SHIBUYA	K. Shibuya	H. Yamaguchi	H. Okawa
		08.01.24	08.01.25	08.01.25	08.01.25
SCALE	FREE	DRAWING NO.	PART NO.		
		EDC3-157683	FX16-21P-GND		
UNITS	mm	HRS	HIROSE ELECTRIC CO., LTD	CODE NO.	
				CL575-3311-0	