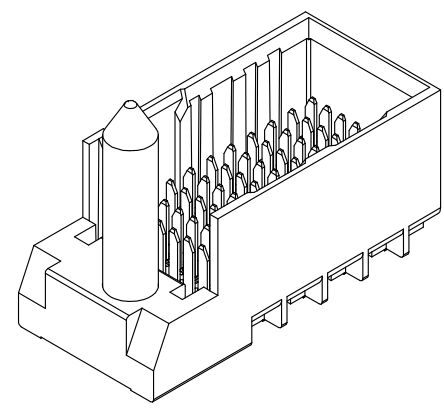


KEEP-OUT ZONE
 LEFT GUIDED BACKPLANE HOLE PATTERN (CONNECTOR SIDE) SEE NOTE 11
 SEE PART NUMBER CHART AND PART NUMBER LOGIC (6 HOLES PER COLUMN)

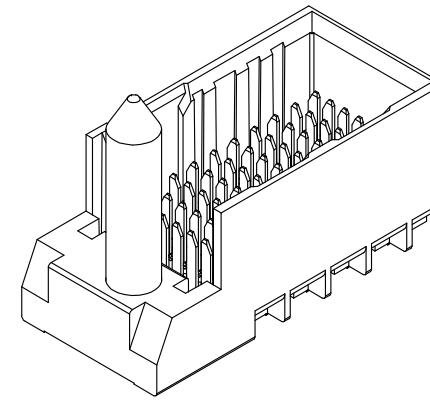


- NOTES:
1. MATERIALS: HOUSING - LIQUID CRYSTAL POLYMER (LCP)
GLASS-FILLED, UL94V-0
TERMINALS - HIGH PERFORMANCE COPPER ALLOY
 2. FINISH: 30 MNCH MIN GOLD IN CONTACT AREA.
SELECTIVE MATTE TIN ON PCB TAILS, NICKEL OVERALL.
 3. REFER TO MOLEX PRODUCT SPECIFICATION PS-76060-999.
FOR PERFORMANCE SPECIFICATIONS AND ADDITIONAL PCB INFORMATION.
 4. THIS PART CONFORMS TO CLASS B REQUIREMENTS OF
MOLEX COSMETIC SPEC PS-45499-002.
 5. PARTS PACKAGED PER PK-70873-761
 6. SEE SHEETS 2 & 3 FOR PART NUMBERS AND BOARD RELATIONSHIPS.
 7. MATES WITH IMPACT DC SERIES NO. 171070.
 8. KEEP OUT ZONE FOR BP HOUSING LENGTH INCLUDES AN ADDITIONAL 1.0MM
TO ACCOMMODATE FOR SPACE REQUIRED BY DC FRONT HOUSING.
 9. REFER TO MOLEX PCB ROUTING GUIDE AS-76060-990 FOR ANTIPAD AND
ROUTING RECOMMENDATIONS.
 10. CONNECTORS SUPPLIED WITH A 2-56 UNC-2A SCREW.
 11. *THESE DIMENSIONS REPRESENT THE AREA NEEDED TO ACCOMMODATE CONNECTOR
INSERTION AND REPAIR ON THE PC BOARD. THIS IS REFERRED TO AS THE
"CONNECTOR KEEP OUT ZONE" AND DOES NOT REPRESENT THE ACTUAL PERIMETER
OF THE CONNECTOR. WHEN LAYING OUT A PC BOARD FOR CONNECTORS STACKED
TOGETHER, USE A 1.9mm PROGRESSION.*
 12. MINIMUM CIRCUIT BOARD THICKNESS: 1.00

REVISED IEC NO: UCP2013-1045 DRAWN: BINGHAM 2012/09/12 CHKD: JLAURX 2012/09/12 APPR: JLAURX 2013/02/07	DESCRIPTION REV	QUALITY SYMBOLS	GENERAL TOLERANCES (UNLESS SPECIFIED)	DIMENSION STYLE MM ONLY	SCALE 4:1	DESIGN UNITS METRIC	THIRD ANGLE PROJECTION
		▽=0	mm INCH	DRAWN BY DATE JB INGHAM 2012/03/29	TITLE IMPACT 2-PAIR 85-OHM LEFT GUIDED BACKPLANE SALES ASSEMBLY DRAWING		DOCUMENT NO. SD-171065-0002
		▽=0	4 PLACES ± --- ± ---	CHECKED BY DATE JLAURX 2012/03/29	SHEET NO. 1 OF 3		
		▽=0	3 PLACES ± --- ± ---	APPROVED BY DATE JLAURX 2013/02/07			
	2 PLACES ± 0.13 ± ---	MATERIAL NO. SEE CHART					
		1 PLACE ± 0.25 ± ---	DRAFT WHERE APPLICABLE MUST REMAIN WITHIN DIMENSIONS	SIZE C	THIS DRAWING CONTAINS INFORMATION THAT IS PROPRIETARY TO MOLEX INCORPORATED AND SHOULD NOT BE USED WITHOUT WRITTEN PERMISSION		

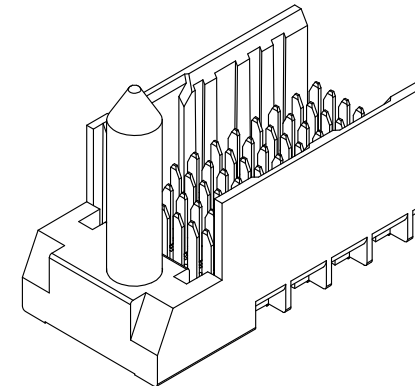
PART NUMBER CHART

MATERIAL NUMBER	# OF COLUMNS	# OF DIFF PAIR	DIM "A"	DIM "B"	GUIDE RIGHT END WALL OPTION
171065-710*	10	20	26.9	17.10	
171065-760*	16	32	38.3	28.50	



GUIDE LEFT
ENDWALL

MATERIAL NUMBER	# OF COLUMNS	# OF DIFF PAIR	DIM "A"	DIM "B"	GUIDE RIGHT OPEN WALL OPTION
171065-310*	10	20	25.5	17.10	
171065-360*	16	32	36.9	28.50	



GUIDE LEFT
OPEN

PART NUMBER LOGIC

171065-***0*

MODULE TYPE
 3 = GUIDE LEFT, MATTE TIN
 7 = GUIDE LEFT END WALL, MATTE TIN

PIN LENGTH (P)
 3 = 4.50 (SHORT COMPLIANT, 0.46±0.05 PTH)
 4 = 4.90 (SHORT COMPLIANT, 0.46±0.05 PTH)
 5 = 5.50 (SHORT COMPLIANT, 0.46±0.05 PTH)
 6 = 4.50 (MICRO COMPLIANT, 0.39±0.05 PTH)
 7 = 4.90 (MICRO COMPLIANT, 0.39±0.05 PTH)
 8 = 5.50 (MICRO COMPLIANT, 0.39±0.05 PTH)

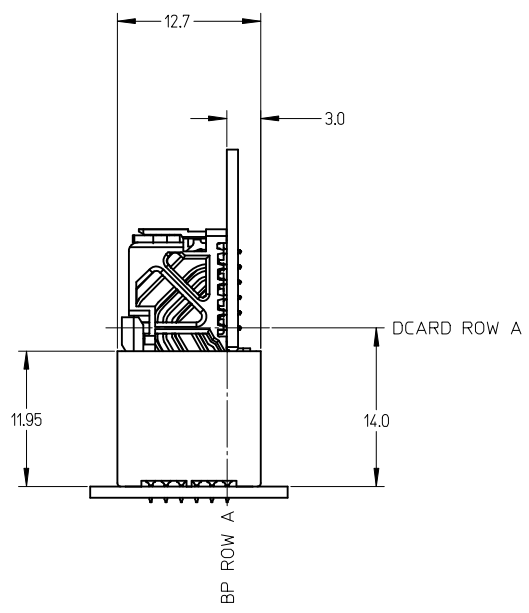
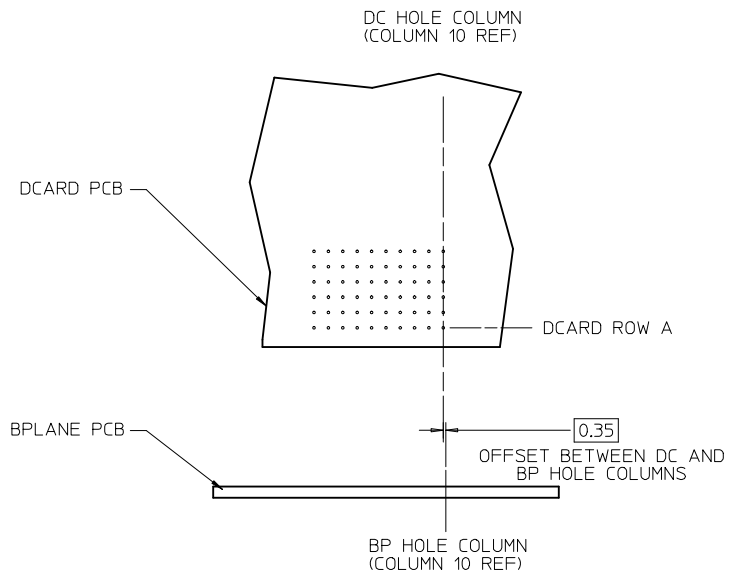
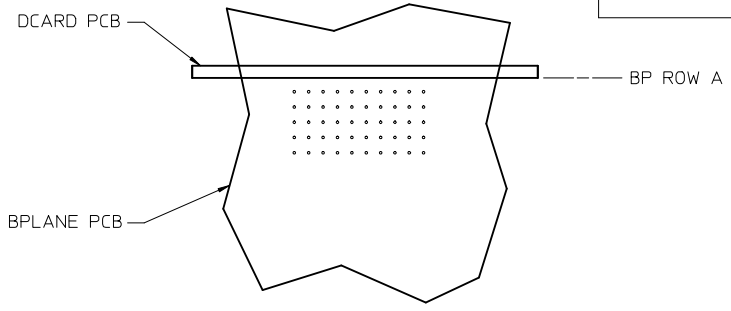
OF COLUMNS
 1 = 10 COL
 6 = 16 COL

SEE SHEET 1 EC NO: UCP2013-1045 DRWN:JBINGHAM 2012/09/12 CHKD:JLAURX 2012/09/12 APPR:JLAURX 2013/02/07	QUALITY SYMBOLS	GENERAL TOLERANCES (UNLESS SPECIFIED)		DIMENSION STYLE MM ONLY	SCALE 4:1	DESIGN UNITS METRIC	THIRD ANGLE PROJECTION
	▽=0	mm	INCH	DRAWN BY DATE JBINGHAM 2012/03/29	TITLE IMPACT 2-PAIR 85-OHM LEFT GUIDED BACKPLANE SALES ASSEMBLY DRAWING		
	▽=0	4 PLACES ± --- ± ---	3 PLACES ± --- ± ---	CHECKED BY DATE JLAURX 2012/03/29			
	▽=0	ANGULAR ±1/2°		APPROVED BY DATE JLAURX 2013/02/07	MATERIAL NO.	DOCUMENT NO.	SHEET NO.
	REV	DRAFT WHERE APPLICABLE MUST REMAIN WITHIN DIMENSIONS		SIZE	SEE CHART	SD-171065-0002	2 OF 3

THIS DRAWING CONTAINS INFORMATION THAT IS PROPRIETARY TO MOLEX INCORPORATED AND SHOULD NOT BE USED WITHOUT WRITTEN PERMISSION



IMPACT 2 PAIR
BOARD RELATIONSHIPS



SEE SHEET 1	EC NO: UCP2013-1045	2012/09/12	QUALITY SYMBOLS	GENERAL TOLERANCES (UNLESS SPECIFIED)		DIMENSION STYLE MM ONLY		SCALE 2:1	DESIGN UNITS METRIC	THIRD ANGLE PROJECTION
	DRWN:JBINGHAM	2012/09/12		4 PLACES ± --- ± ---	mm	INCH	DRAWN BY JBINGHAM	DATE 2012/03/29	TITLE IMPACT 2-PAIR 85-OHM LEFT GUIDED BACKPLANE SALES ASSEMBLY DRAWING	
	CHKD:JLAURX	2012/09/12		3 PLACES ± --- ± ---			CHECKED BY JLAURX	DATE 2012/03/29		
	APPR:JLAURX	2013/02/07		2 PLACES ± 0.13 ± ---			APPROVED BY JLAURX	DATE 2013/02/07		
		1 PLACE ± 0.25 ± ---			MATERIAL NO.	DOCUMENT NO.	SHEET NO.			
		0 PLACE ± --- ± ---			DRAFT WHERE APPLICABLE MUST REMAIN WITHIN DIMENSIONS		SEE CHART SD-171065-0002		3 OF 3	
					ANGULAR ±1/2°		THIS DRAWING CONTAINS INFORMATION THAT IS PROPRIETARY TO MOLEX INCORPORATED AND SHOULD NOT BE USED WITHOUT WRITTEN PERMISSION			