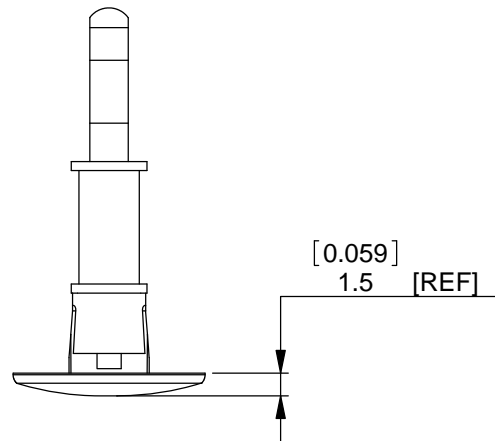
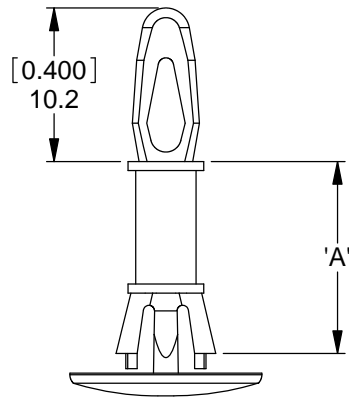
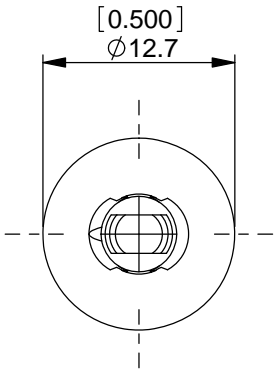


REV.	MODIFICATION.	DATE	DRN
01	NEW DWG, ECN07-182	09/10/07	NJB
02	CO2011100	25/02/11	SF

TOP HOLE: TO SNAP FIT INTO A $\phi 4.0 \pm 0.08$ [.156 ± .003] HOLE, IN A 1.6 [.062] THICK BOARD.



BOTTOM HOLE: TO SNAP LOCK IN A $\phi 5.4 \pm 0.08$ [.213 ± .003] HOLE, IN A 1.2-2.0 [.047-.079] PANEL THICKNESS.

INFORMATION CONTAINED IN THIS DOCUMENT IS CONFIDENTIAL TO RICHCO INTERNATIONAL Co. Ltd. AND MAY NOT BE DISCLOSED OR REPRODUCED IN WHOLE OR PART WITHOUT THEIR WRITTEN CONSENT.

RICHCO, INC.
WWW.RICHCO-INC.COM

GENERAL TOLERANCES ± 0.25 [0.010]
UNLESS OTHERWISE STATED
1 DECIMAL PLACE \pm
2 DECIMAL PLACES \pm
ANGULAR $\pm 1^\circ$



Nylon 6/6 UL 94 V-2 (RMS-01) COLOUR: NATURAL	Nylon 6/6 UL 94 V-0 (RMS-19) COLOUR: NATURAL	"A" ± 0.4 [.016]
CRCBSRE-3-01	CRCBSRE-3-19	4.8 [.188]
CRCBSRE-4-01	CRCBSRE-4-19	6.4 [.251]
CRCBSRE-6-01	CRCBSRE-6-19	9.5 [.374]
CRCBSRE-8-01	CRCBSRE-8-19	12.7 [.500]
CRCBSRE-10-01	CRCBSRE-10-19	15.9 [.625]
BLACK AVAILABLE BY SPECIAL ORDER ADD -BK TO END OF PART NUMBER		

MATERIAL: SEE TABLE		COLOUR: NATURAL	
DESCRIPTION: REVERSE LOCKING CIRCUIT BOARD SUPPORT		PART No: SEE TABLE	
DRG No: 07-105	NPR No: N/A	SHEET SIZE A4	
DRN NJB	DATE 09/10/07	CHKD SF	DATE 09/10/07
SCALE NTS		SHEET No. 1 OF 1	