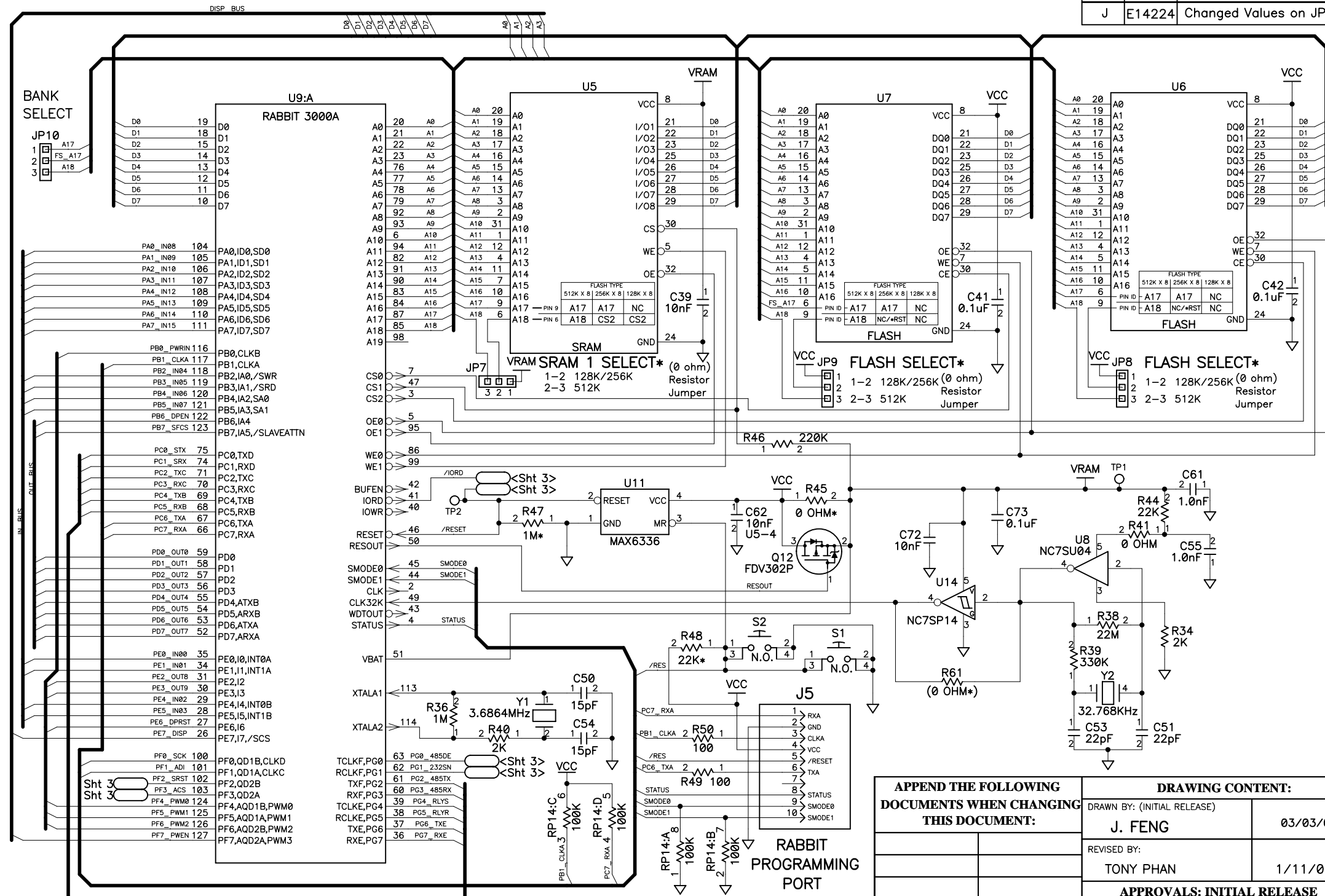
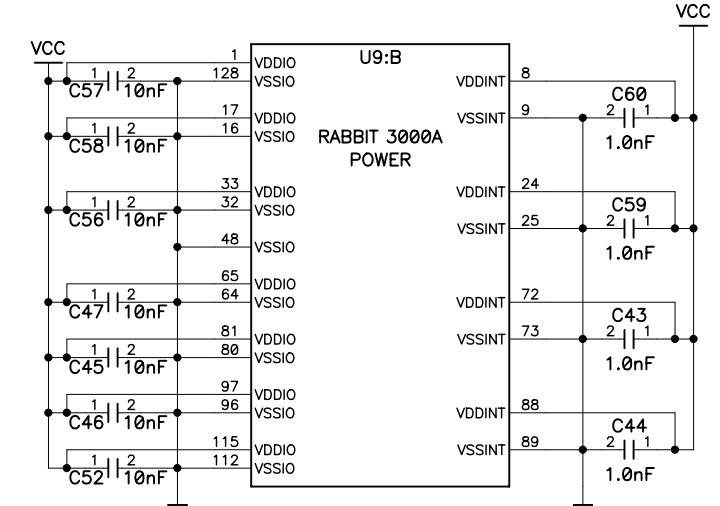



REVISION HISTORY			REVISION APPROVAL			
REV	ECO	DESCRIPTION	PROJECT ENGINEER	APPROVAL DATE	DOCUMENT CONTROL	APPROVAL DATE
D	E12153	CHANGE TRANSIS.@ Q19, IMPROVES DISPLAY QUALITY.	JF	12/2/02	KIS	12/2/02
E	E12720	CHANGE R3000 CHIP TO R3000A.	JF	4/12/04	KF	4/12/04
F	E12962	ADD JP13, R60 AND C71	JF	10/4/04	KF	10/4/04
G	E13048	CORRECT VALUES. ADD STUFFING CHART.	XT	12/01/04	KF	11/30/04
H	E14130	ADD U14, R61, C72, C73 @ RTC CIRCUIT	XT	10/17/05	KF	10/17/05
J	E14224	Changed Values on JP12, D5, R34, C51, C53				



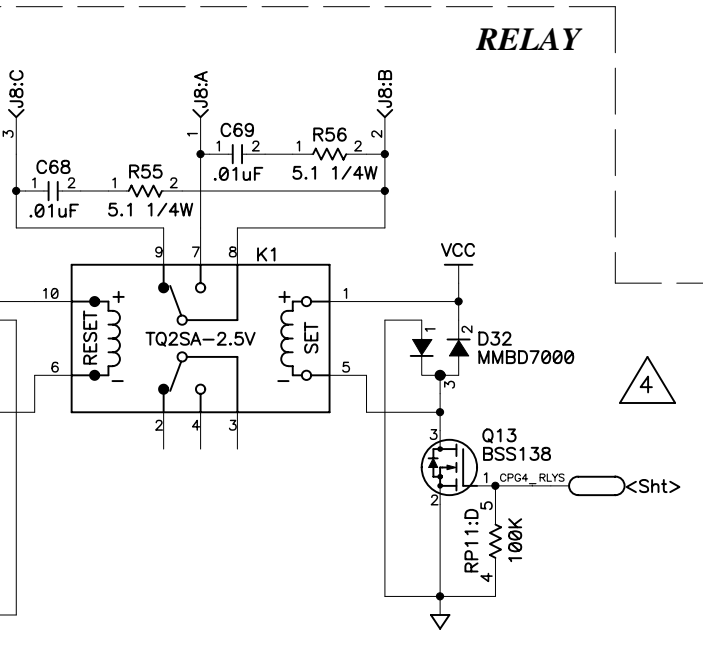
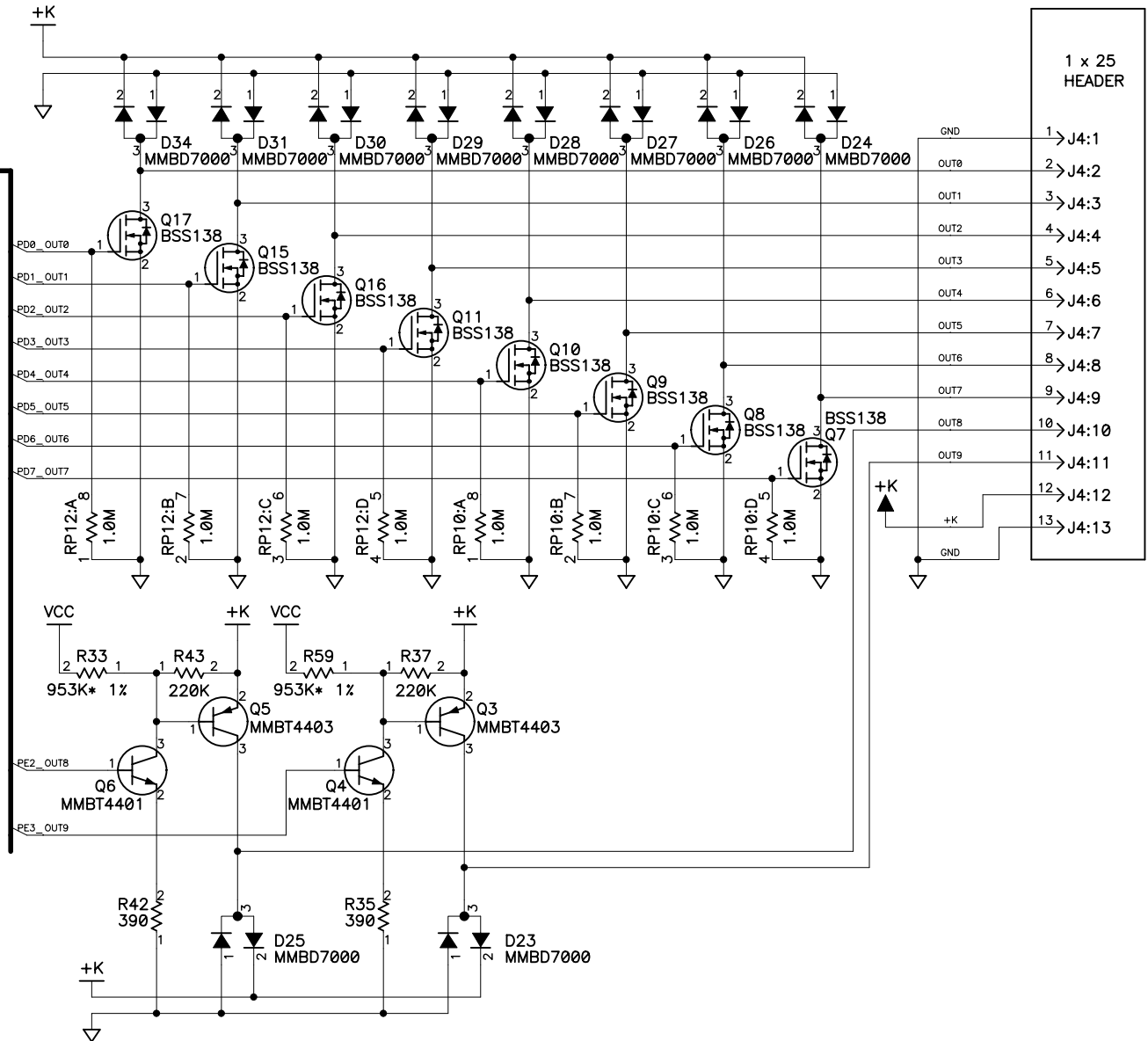
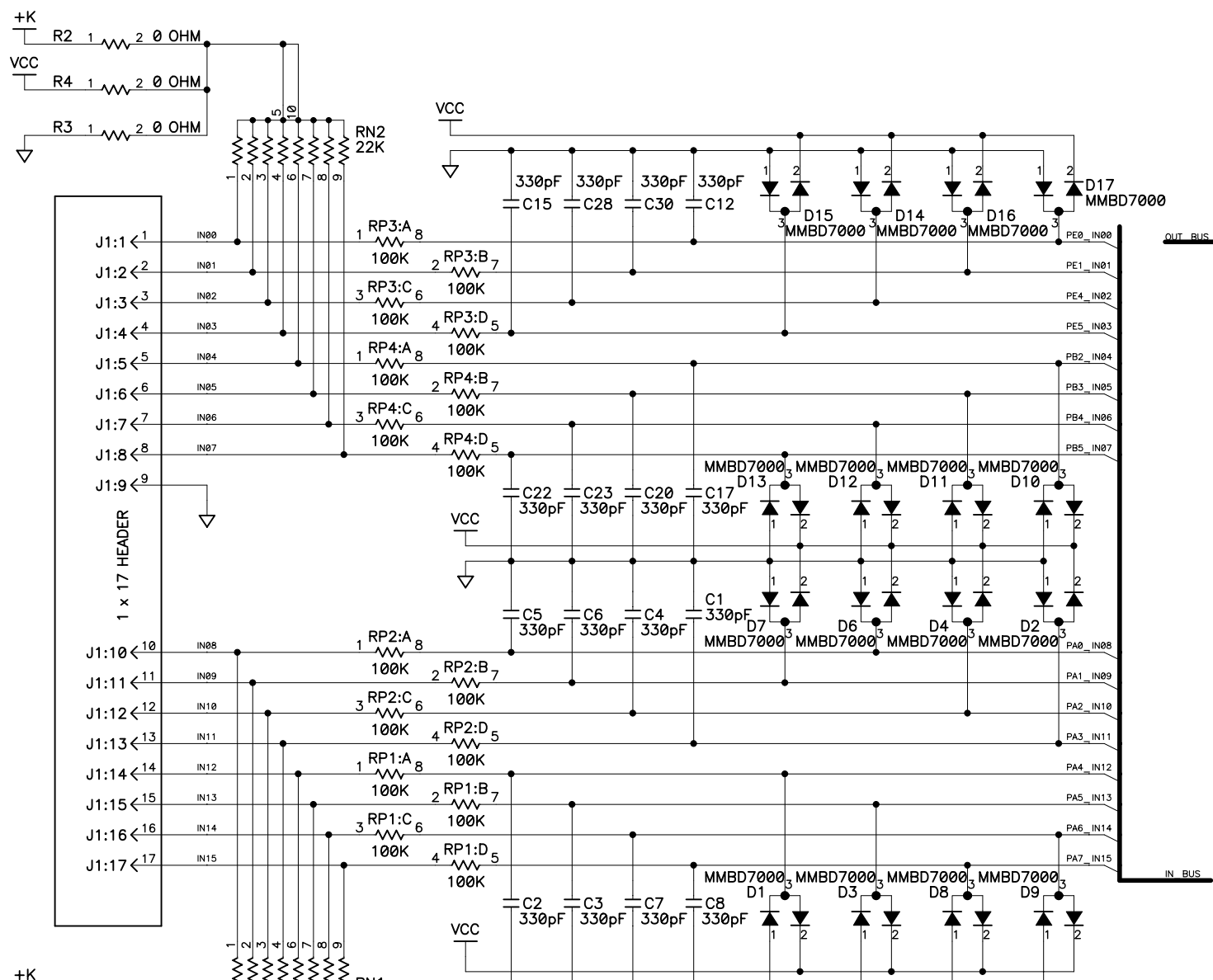
- NOTES: UNLESS OTHERWISE SPECIFIED;
- ALL RESISTOR VALUES ARE IN OHMS, 1/16W, 5%
 - ALL CAPACITORS ARE 16VDC OR HIGHER.
 - THE ORIGIN SOURCE OF A VOLTAGE IS REPRESENTED BY (∇), AND ALL REFERENCES TO THAT VOLTAGE ARE REPRESENTED BY (∇).
 - OUTLINED CIRCUIT MAY NOT BE STUFFED DEPENDING ON MODEL.
 - COMPONENT VALUES SHOWN WITH AN ASTERISK (*) FOLLOWING THE VALUE, MAY HAVE DIFFERENT VALUES, OR MAY NOT BE STUFFED DEPENDING ON MODEL.



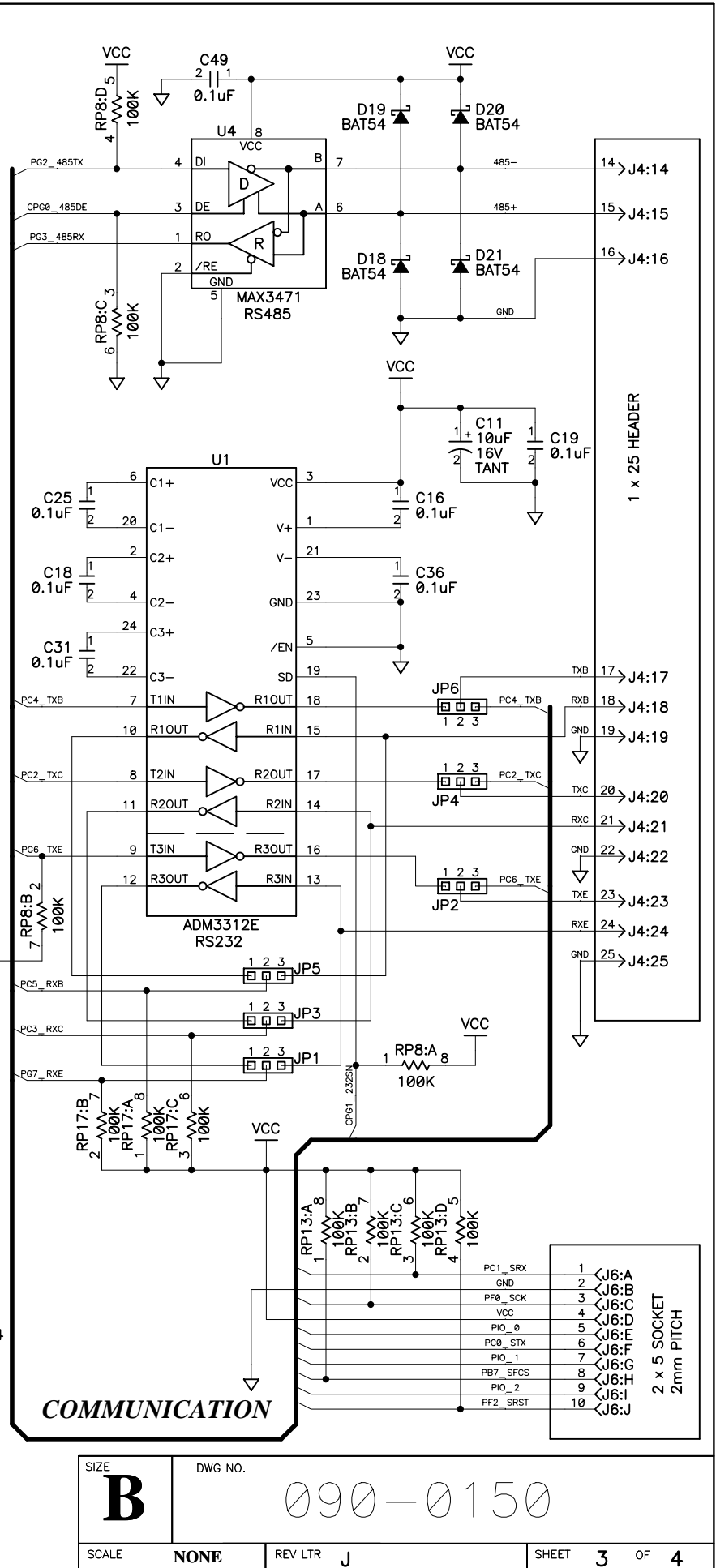
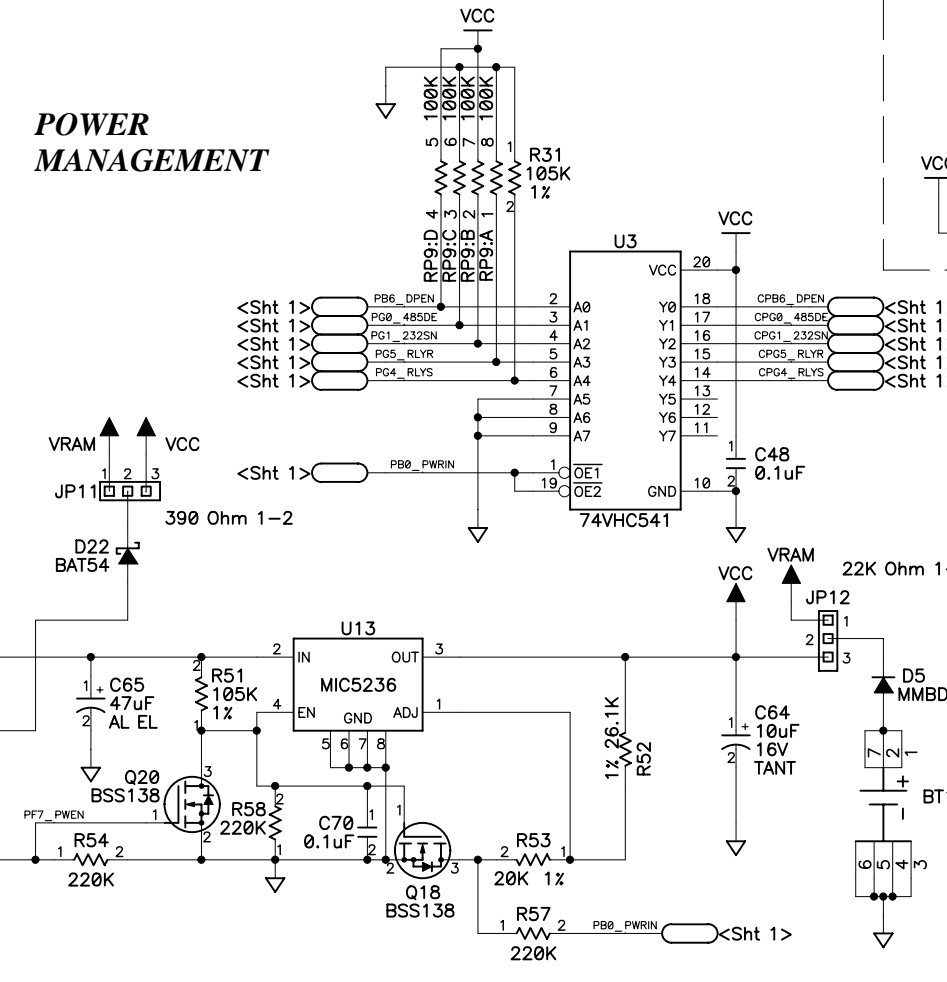
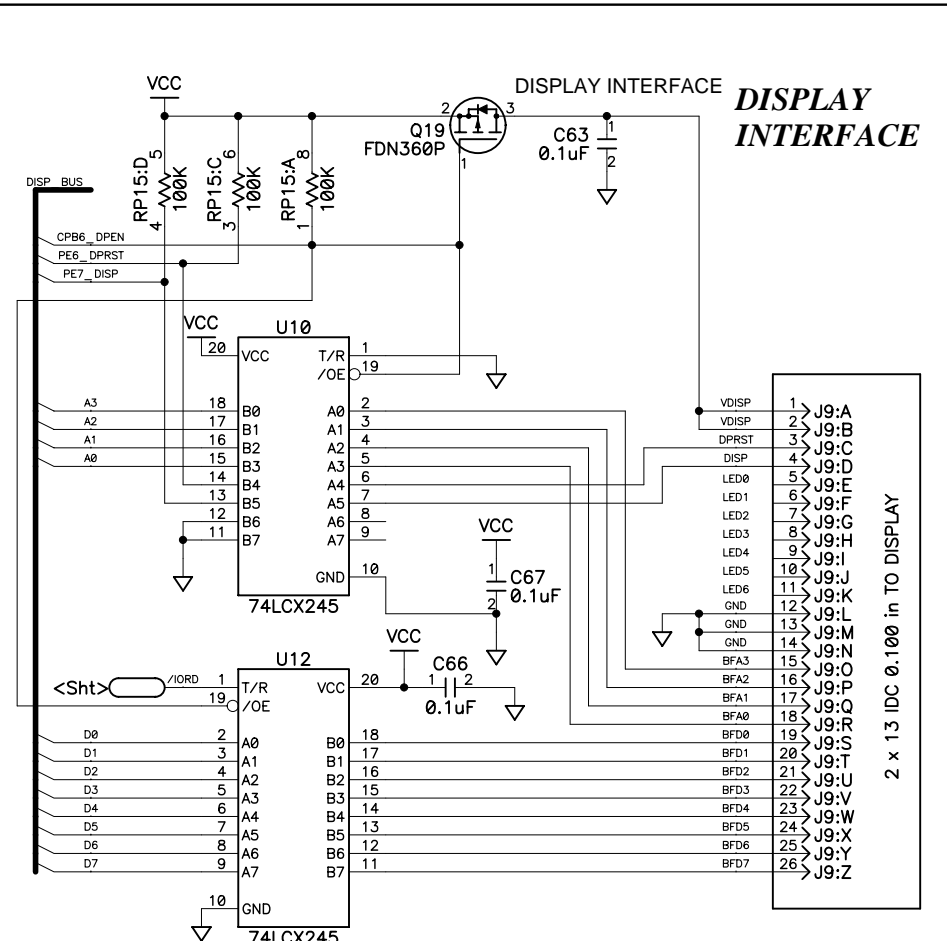
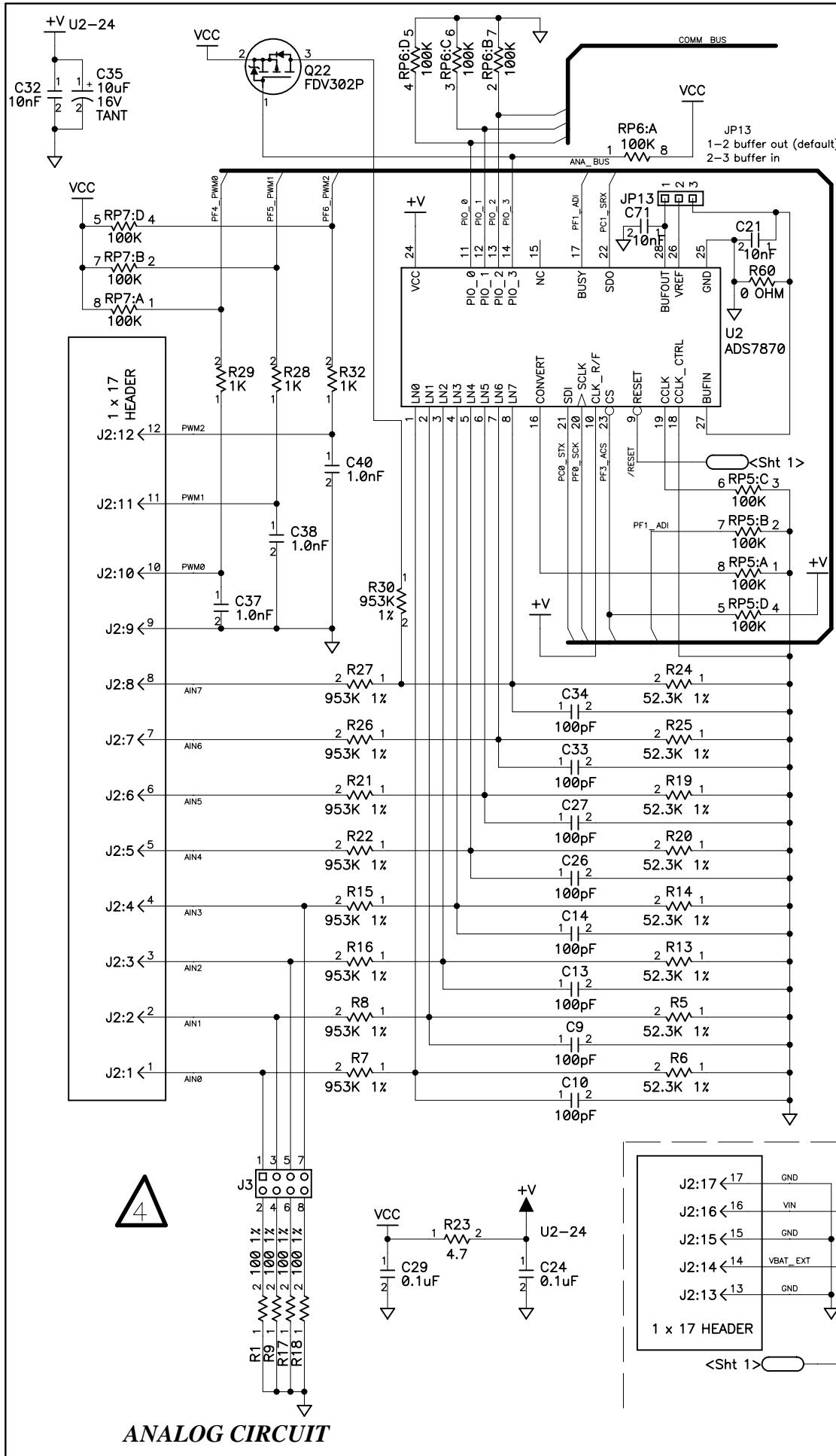
COPYRIGHT 2006, Z-WORLD, INC.

APPEND THE FOLLOWING DOCUMENTS WHEN CHANGING THIS DOCUMENT:		DRAWING CONTENT:		TITLE	
		DRAWN BY: (INITIAL RELEASE)	03/03/02	LP3500 LOW POWER CONTROLLER	
		REVISED BY:	1/11/06		
		APPROVALS: INITIAL RELEASE		 2900 SPAFFORD ST. DAVIS, CA 95616 530 - 757 - 4616	
		PROJECT ENGINEER:	07/11/02		
		ENGINEERING MANAGER:	07/11/02		
		SIGNATURES	DATE		
SCALE	NONE	RELEASE DATE	07/11/02	SHEET	1 OF 4

SIZE **B** DWG NO. **090-0150**



SIZE	DWG NO.			
B	090-0150			
SCALE	NONE	REV LTR	J	SHEET 2 OF 4



SIZE	B		DWG NO.	090-0150	
SCALE	NONE		REV LTR	J	
SHEET			3	OF 4	

JUMPER TABLE

CIRCUIT	LP3500	LP3510
ANALOG CIRCUIT (PG.3)	INSTALLED	NOT INSTALLED
RELAY CIRCUIT (PG.2)	INSTALLED	NOT INSTALLED
POWER MGMNT (PG.3)	INSTALLED	INSTALLED
DISPLAY INTERFACE (PG.3)	INSTALLED	INSTALLED
COMMUNICATION (PG.3)	INSTALLED	INSTALLED

MEMORY TABLE

	PART	LP3500	LP3510
SRAM	U5	512K	128K
	JP7	2-3	1-2
FLASH	U7	256K	256K
	JP9	1-2	1-2
FLASH	U6	256K	NOT INSTALLED
	JP8	1-2	NOT INSTALLED

INSTALLED COMPONENTS

PART	LP3500	LP3510
R3, R4, R33, R45, R47, R48, R59	NOT INSTALLED	NOT INSTALLED
R61	NOT INSTALLED	NOT INSTALLED
U14	INSTALLED	INSTALLED

JUMPER TABLE

CIRCUIT	PART	LP3500/ LP3510
COMMUNICATION	JP1	1-2 (0 OHM)
	JP2	1-2 (0 OHM)
	JP3	1-2 (0 OHM)
	JP4	1-2 (0 OHM)
	JP5	1-2 (0 OHM)
	JP6	1-2 (0 OHM)
BANK SELECT	JP10	1-2 (0 OHM)
POWER MANAGEMENT	JP11	1-2 (390 OHM)
	JP12	1-2 (390 OHM)