

PART NAME: KNOB SCALE: 1:1 DATE: 6/27/41 DR. BY JC

THIS DRAWING IS THE PROPERTY OF DAVIES MOLDING COMPANY, IS SUBMITTED SOLELY AS A DESIGN OR ENGINEERING PROJECT. WE ACCEPT NO RESPONSIBILITY WHATSOEVER FOR THE PRACTICAL APPLICATION OF THE PIECES MADE TO THIS DESIGN.

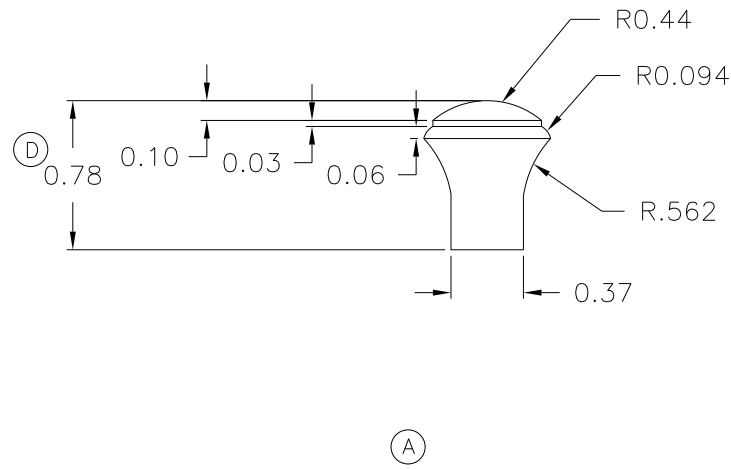


DESIGNERS & MANUFACTURERS OF KNOBS, HANDLES, CASES & CUSTOM PLASTIC COMPONENTS

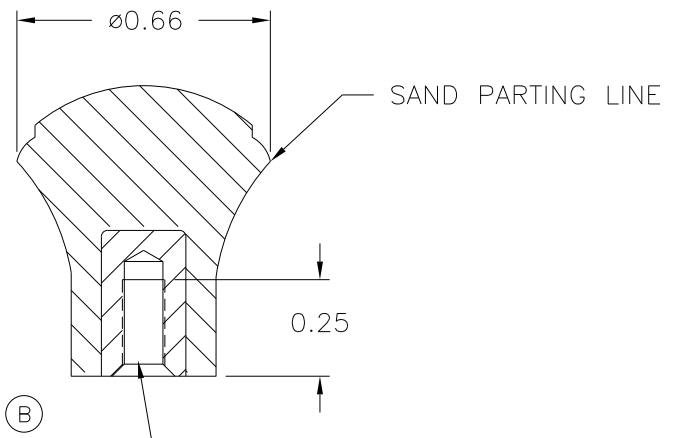
P/N 3001-B

BASE PART 3001-03

© E



SCALE 2:1



6-32 UNC-2B THREAD
10011, H.H.BRASS

MATERIAL: G.P. PHENOLIC (B11)
COLOR: BLACK

TOLERANCES: UNLESS OTHERWISE SPECIFIED	DO NOT SCALE DRAWING	E	ADDED BASE PART	JAM	5/10/13
		D	CORRECTED DIM, WAS 0.75	JAM	8/15/05
DECIMALS: X.XXX ± .005 X.XX ± .015	MM: X.XX ± 0.15MM X.X ± 0.4MM	C	CORRECTED TOOLING BOX	TS	6/6/02
		B	REMOVED CBORE	JAM	5/30/02
FRACTIONS ± 1/64	ANG. ± 1°	A	ADDED NOTE	JAM	1/24/02
CHANGES					