

DRAWING MADE IN THIRD ANGLE PROJECTION

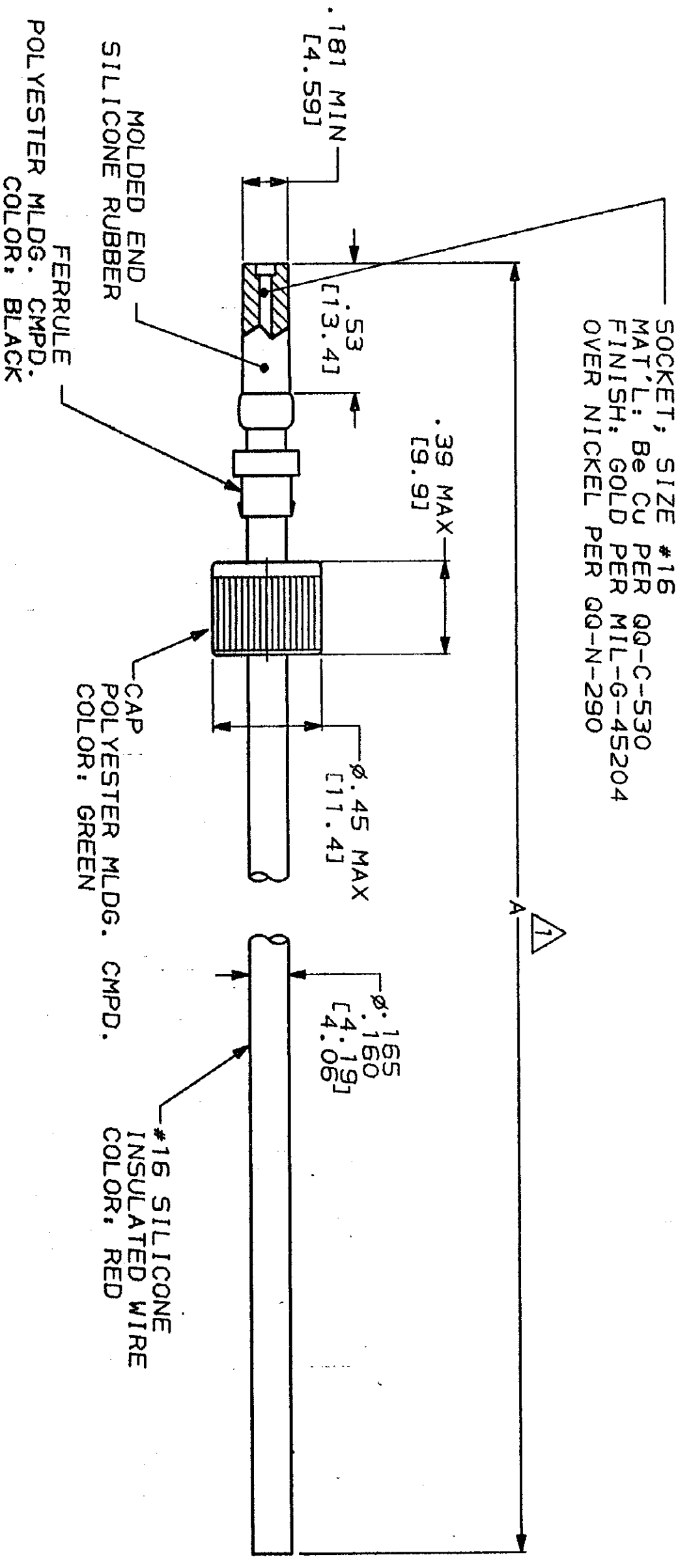
THIS DRAWING IS UNPUBLISHED. RELEASED FOR PUBLICATION

© COPYRIGHT 19 BY AMP INCORPORATED. ALL INTERNATIONAL RIGHTS RESERVED.

PART NO.	A
865764-1	48.00 [1219.2]
865764-2	240.00 [6096.0]
865764-3	12.00 [304.8]
865764-4	72.00 [1828.8]
865764-5	336.00 [8534.4]

OBSELETE

PROD LOC	0157	REV 8 REDRAWN PER DF-2571	DATE	8-91	SG
4092 DF	50	CT	8-91	5G	
CODE		REV 8 REDRAWN PER DF-2571	CT	8-91	5G



- △ TOLERANCE OF LEAD LENGTH:
UP TO 24 INCHES [609.6] = ±.12 [±3.0]
24 INCHES [609.6] & UP = ±1%
- MARKED PER MIL-STD-130.
 - TO MATE WITH AMP LGH-1/2 RECEPTACLE WITH .53 [13.4] BARREL DEPTH.
 - OPERATING VOLTAGE: 10 KVDC AT 0 TO 70,000 FEET, -55°C TO 125°C.

DO NOT SCALE PRINT. UNLESS SPECIFIED DIMENSIONS IN INCHES (mm) TOLERANCES ON 1 2 PLC DEC ± .02 (0.5) 3 PLC DEC ± .005 (0.125) ANGLES	DR 4-18-80 C.C. THOMAS	NAME	AMP INCORPORATED Mortonsville, Pa. 17105
MATERIAL	APPD 8-12-91 S. GLATFELTER	LEAD ASS'Y, POS STOP, SGL. END, LGH-1/2	
SEE CALLOUTS	APPD 8-12-91 C. THOMAS	SIZE	CAGE CODE
	PRODUCT SPEC	C	00779
	APPLICATION SPEC	SCALE	DRAWING NO
	WEIGHT	2:1	865764
			SHEET
			1 OF 1

CUSTOMER DRAWING