

THIS DRAWING IS UNPUBLISHED. VERTRÄULICHE UNVERÖFFENTLICHTE ZEICHNUNG. RELEASED FOR PUBLICATION FREI FÜR VERÖFFENTLICHUNG. 2014. MATED WITH: PASSEND ZU: (C) COPYRIGHT 2014 Tyco Electronics AMP GmbH. ALL RIGHTS RESERVED. ALLE RECHTE VORBEHALTEN.

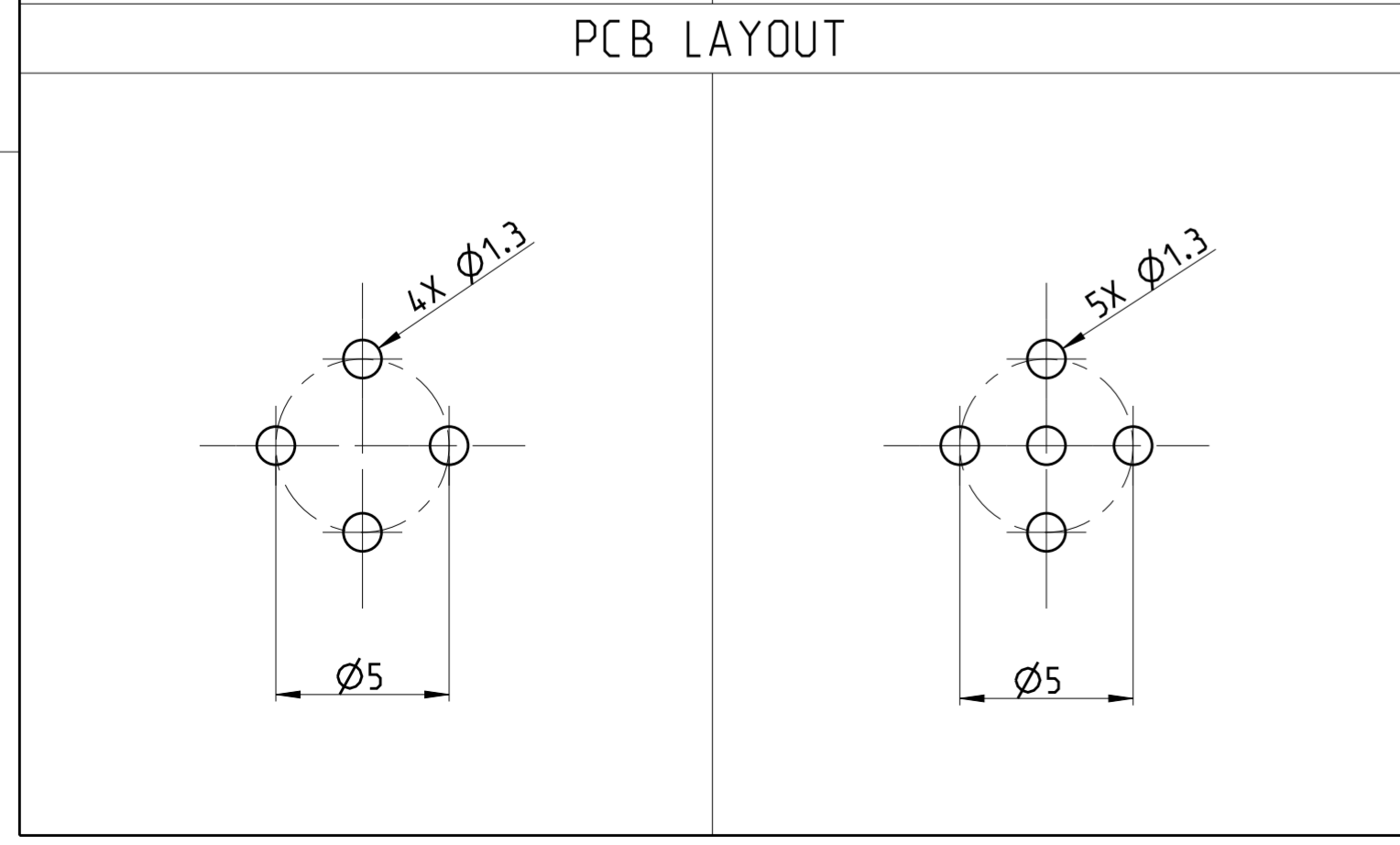
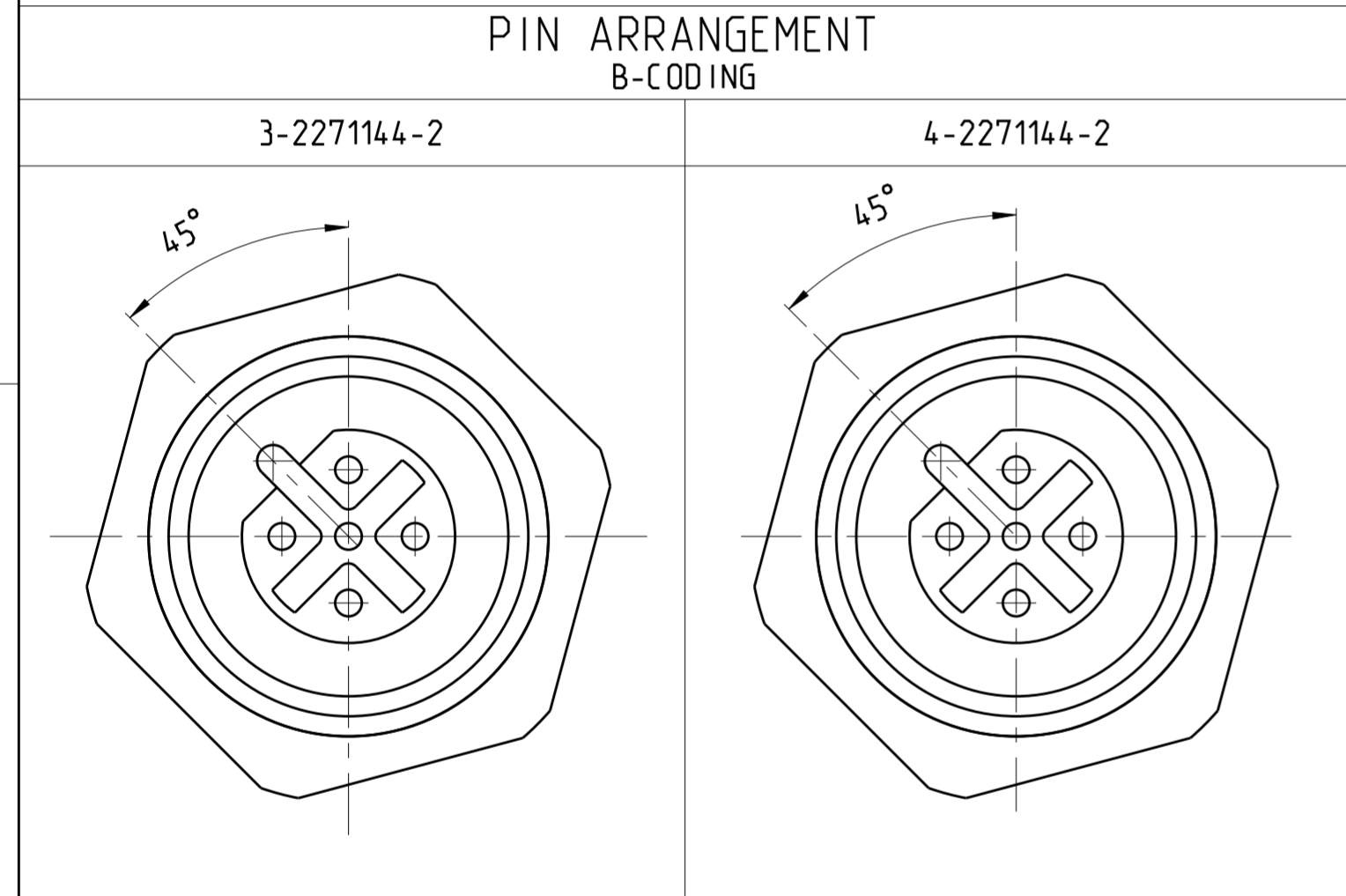
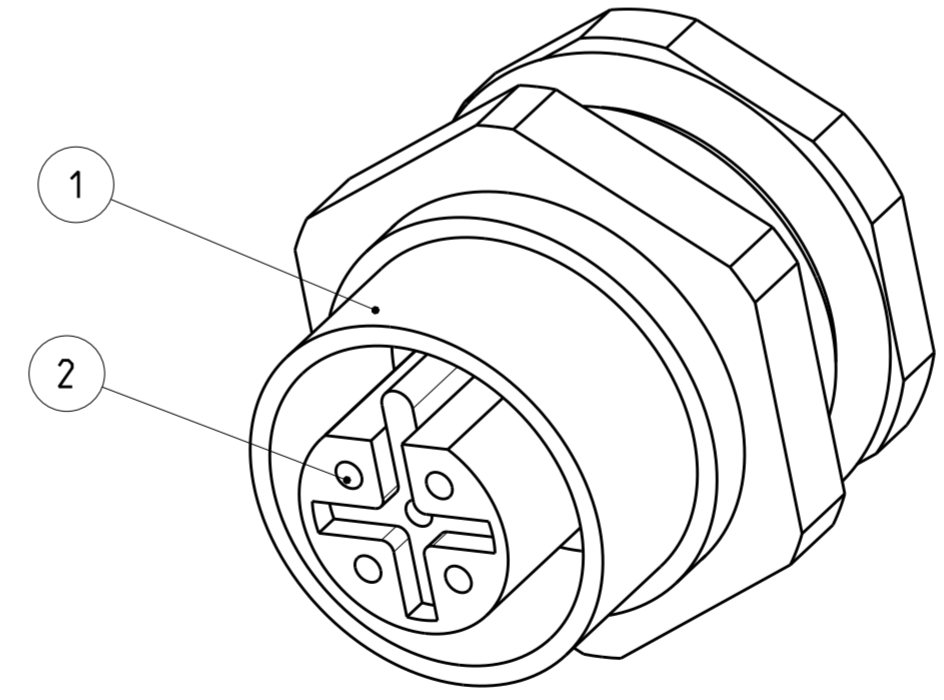
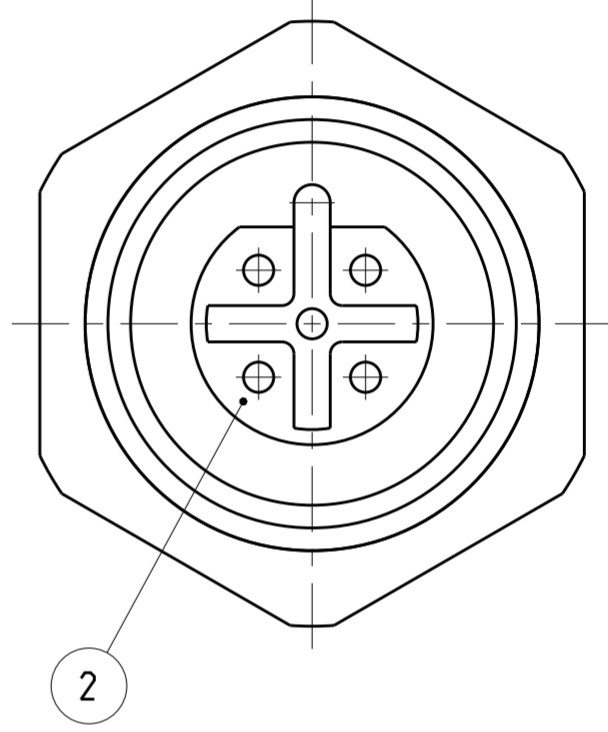
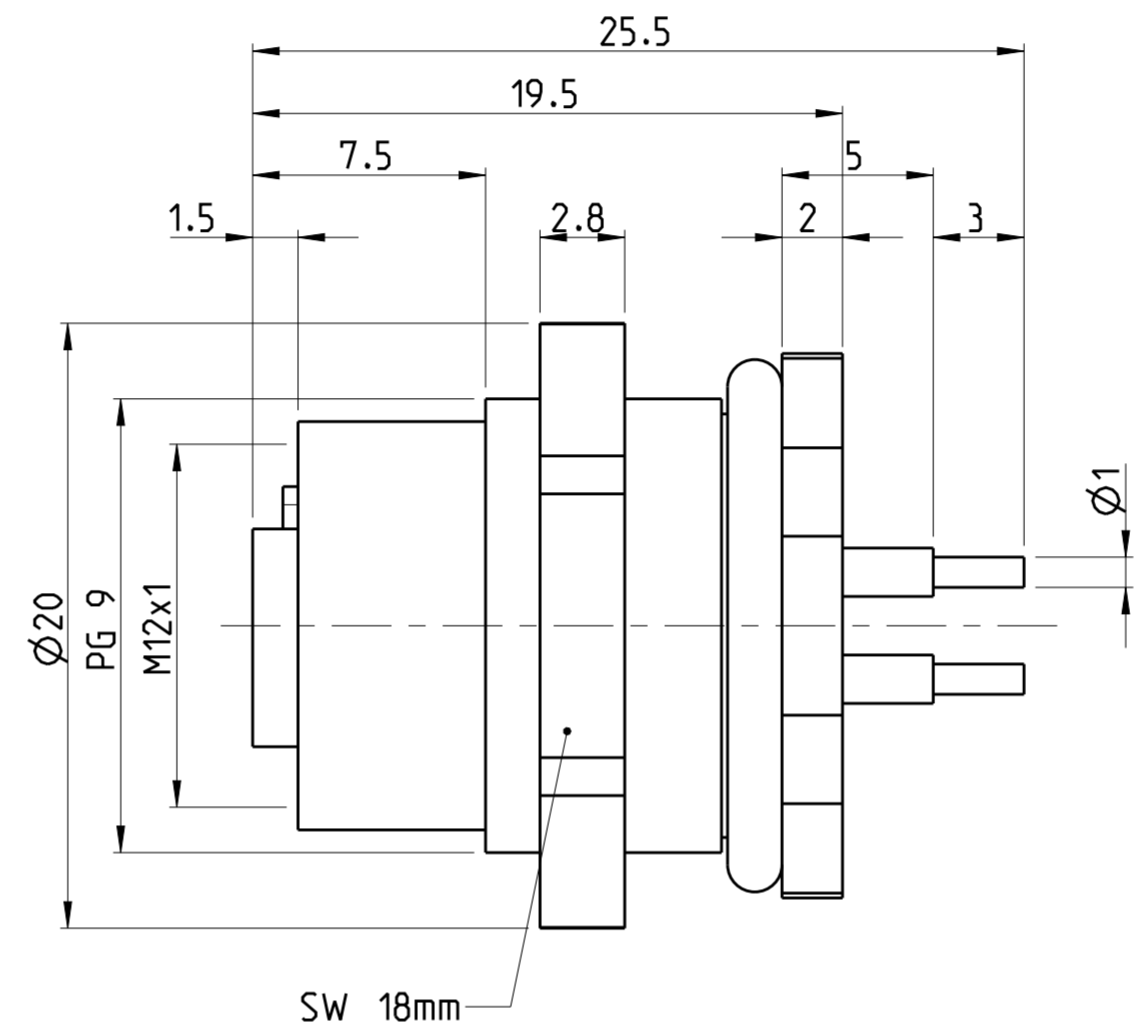
PROJEKT NR.: PRJ-14-00000805

REVISIONS		DATE	DWN	APVD
ÄNDERUNGEN				
P	LTR	DESCRIPTION		
		BESCHREIBUNG		
	A2	ADDED PCB LAYOUT IN DRAWING	20AUG2014	YR MB

TECHNICAL DATA	3-2271144-2	4-2271144-2
	RATED VOLTAGE	250V
RATED IMPULSE VOLTAGE	2500V	1500V
POLLUTION DEGREE	3	3
OVERVOLTAGE CATEGORY	II	II
MATERIAL GROUP	II	II
RATED CURRENT	4A	4A
VOLUME RESISTIVITY	≤ 3mΩ	≤ 3mΩ
DEGREE OF PROTECTION	IP68	IP68
UPPER TEMPERATURE	+85 °C	+85 °C
LOWER TEMPERATURE	-40 °C	-40 °C

**MATERIAL:** ITEM NO. 1: HOUSING - BRASS, ZINC DIECASTING, NICKEL PLATED  
 ITEM NO. 2: CONTACT BODY - PA  
 ITEM NO. 3: CONTACT - CuSn (BRONZE)  
 CONTACT FINISH - Au (gold)

**2 ALL DIMENSIONS ARE FOR NOMINAL REFERENCE ONLY UNLESS OTHERWISE STATED**  
**3 PACKAGING: 20 PIECE IN A BAG**



**3-2 AS SHOWN WIE GEZEICHNET**

	5	4-2271144-2
	4	3-2271144-2
MATERIAL	NUMBER OF POLES	TE-PART-NO.

DIESE ZEICHNUNG IST EIN KONTROLLIERTES DOKUMENT. BEMASSUNGEN UND TOLERANZEN GEMAESS GPS (ISO STANDARDS).

THIS DRAWING IS A CONTROLLED DOCUMENT. DIMENSIONING AND TOLERANCING PER GPS (ISO STANDARDS).

DIMENSIONS: MASSEINHEITEN: (MM)	TOLERANCES UNLESS OTHERWISE SPECIFIED: ALLGEMEINTOLERANZEN	NAME
	0 PLC ±	DWN YASHKUMAR 15MAY2014
	1 PLC ±	CHK M.STRELOW 15MAY2014
	2 PLC ±	APVD C.SCHREITLINGER 15MAY2014
	3 PLC ±	PRODUCT SPEC 108-19483
	4 PLC ±	APPLICATION SPEC 114-32127
	ANGLES/WINKEL ±	WEIGHT -
	FINISH/OBERFLÄCHE/FARBE	GEWICHT -
MATERIAL SEE NOTES	SEE NOTS	Customer Drawing

**STE** TE Connectivity

**M12 RECEPTACLE, FEMALE, PCB MOUNT, PANEL REAR, STRAIGHT, B-CODED**

SIZE	CAGE CODE	DRAWING NO. ZEICHNUNGS-NR.	RESTRICTED TO NUR FÜR
A2	00779	C-2271144	-
SCALE MASSSTAB	4:1	SHEET BLATT	1 OF 1
REV	A2		

**SIZE ISO 14405** (E)