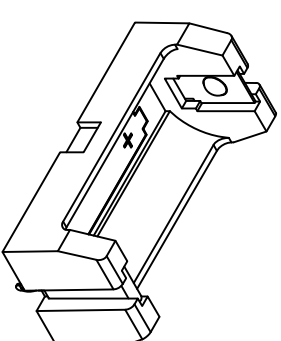
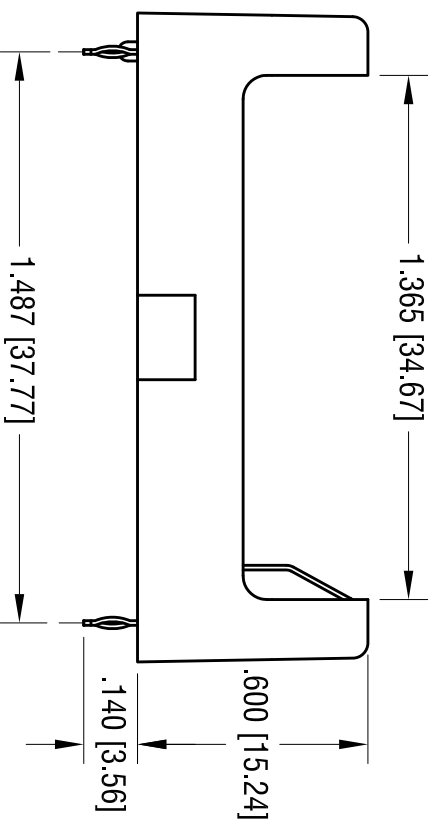
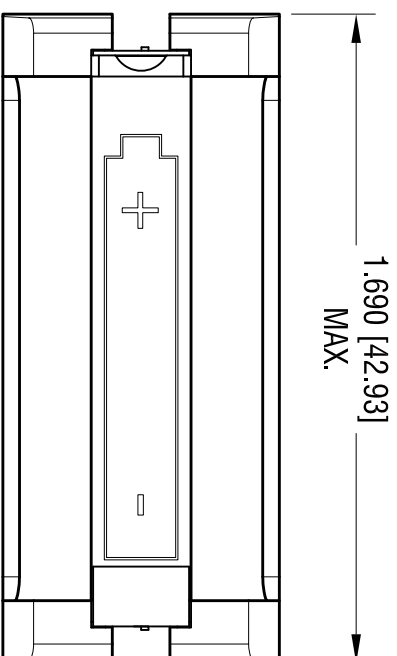
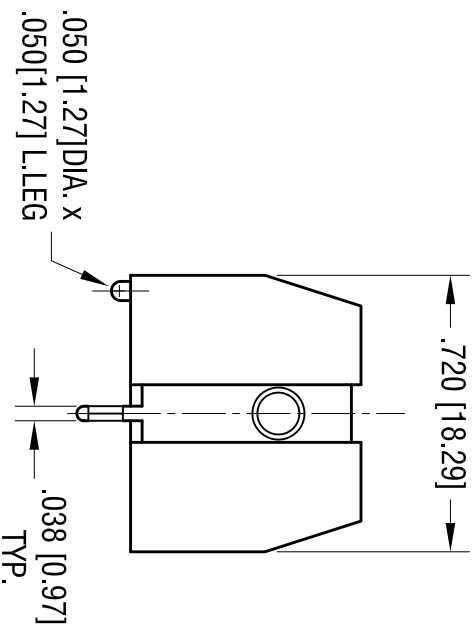
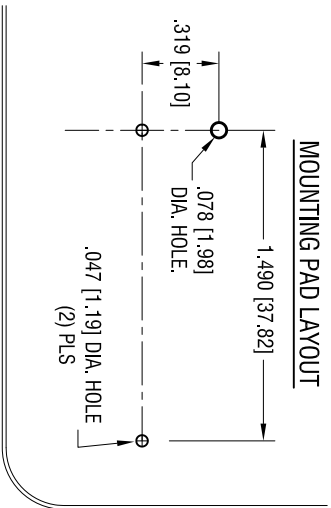


MOUNTING PAD LAYOUT



DATE	DESCRIPTION	REV.
10.08.13	CHANGE AS PER ECN 13-091	A

KEYSTONE ELECTRONICS CORP.
 www.keystone.com • ASTORIA, N.Y. 11105-2017 • Tel (718) 956-8900

PART NAME
 THM POLARIZED HOLDER, CR123A

MATERIAL
 AS NOTED

FINISH
 AS NOTED

TOLERANCES	INCH	[MM]	CODE	DWG NO.
DECIMAL	± .010	[± 0.25]	C	1051
ANGULAR	± 1°			

- NOTE:**
1. BASE:
 MAT'L: HEAT RESISTANCE NYLON (UL94V-0)
 STANYL 46 OR EQUIVALENT
 2. CONTACT:
 MAT'L: .012 [0.30] THK STAINLESS STEEL
 FINISH: TIN NICKEL PLATE.

THIS DOCUMENT IS THE PROPERTY OF
 KEYSTONE ELECTRONICS CORP. AND
 SHALL NOT BE REPRODUCED, DISTRIBUTED
 OR USED AS A BASIS FOR MANUFACTURE
 WITHOUT PRIOR WRITTEN PERMISSION
 FROM KEYSTONE ELECTRONICS CORP.

DRN BY: NT
 DATE: 1.13.12

App'D: LN
 SCALE: 2X